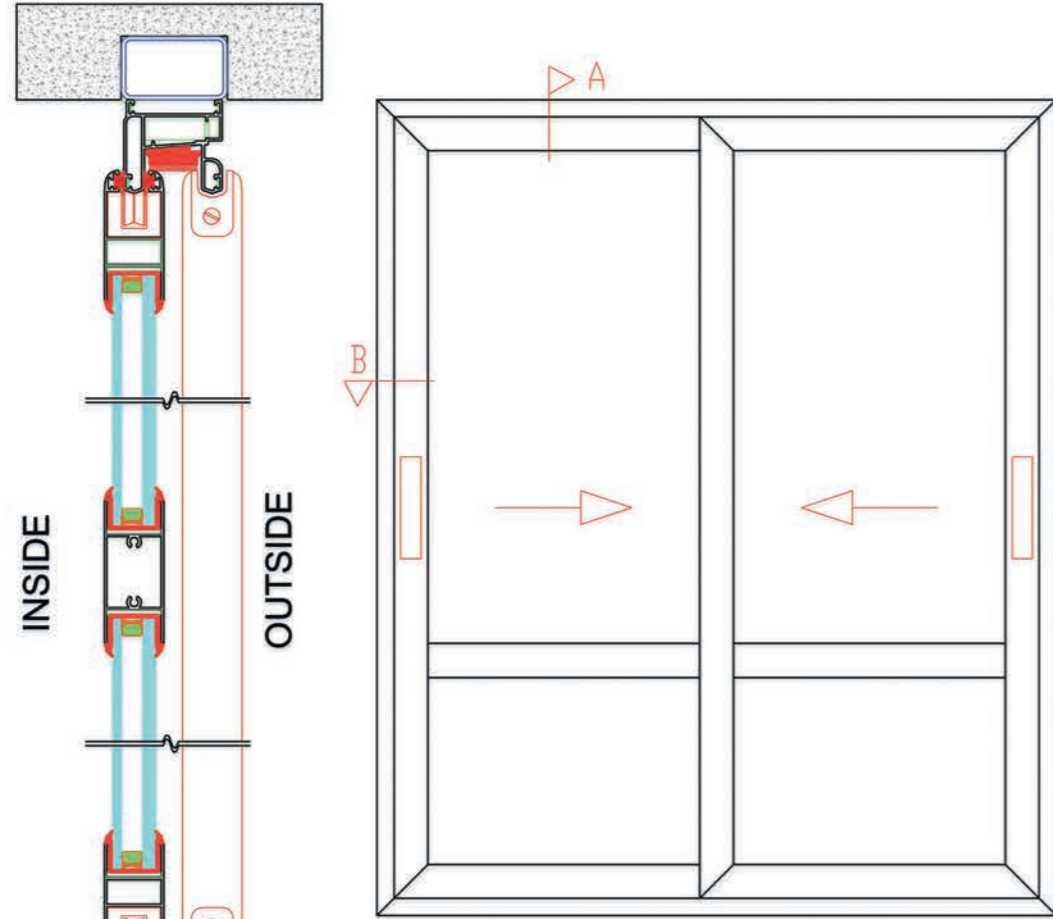
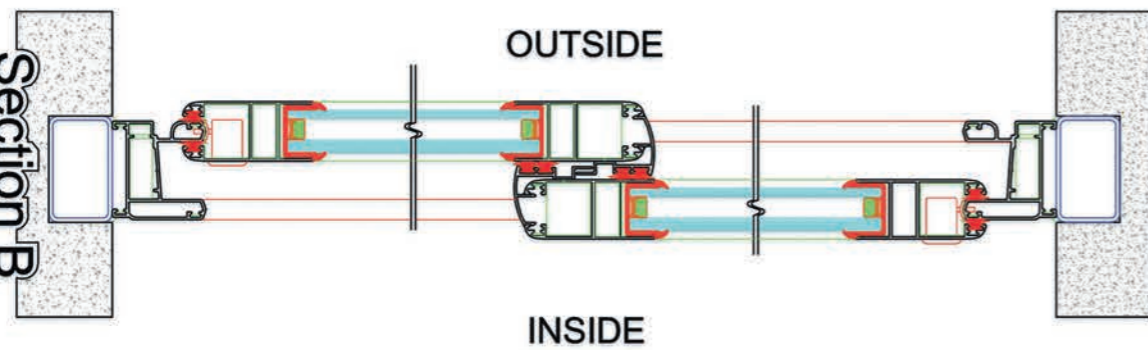




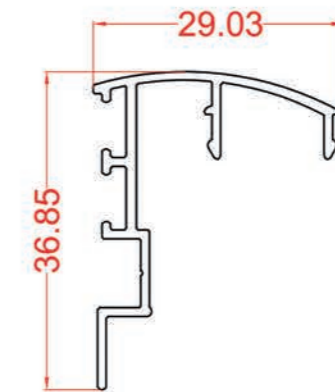
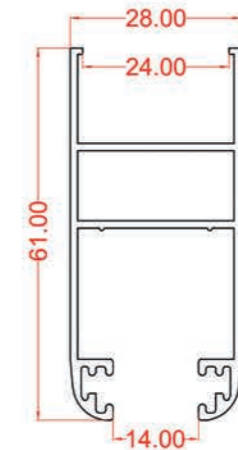
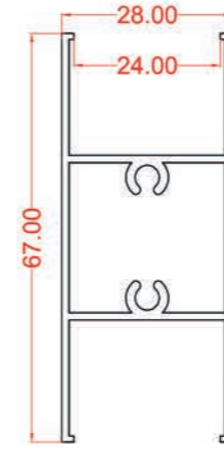
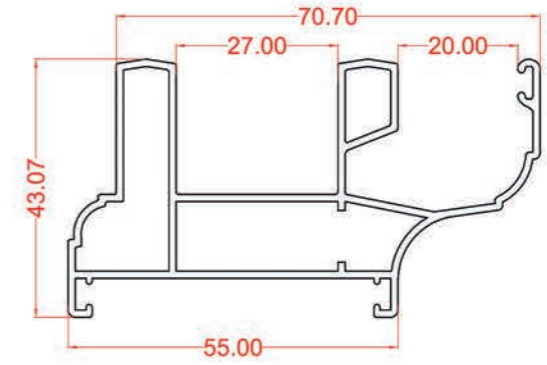
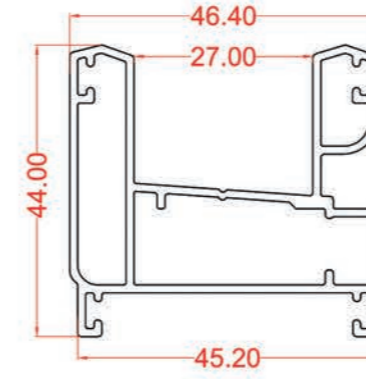
ALUMTURK



Interior View



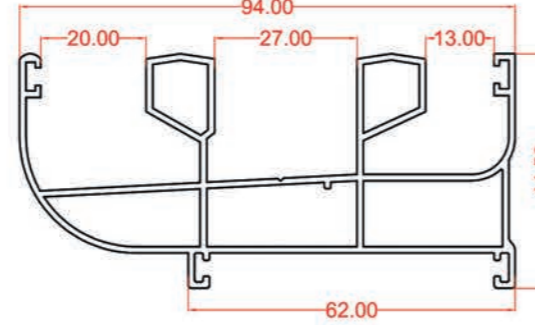
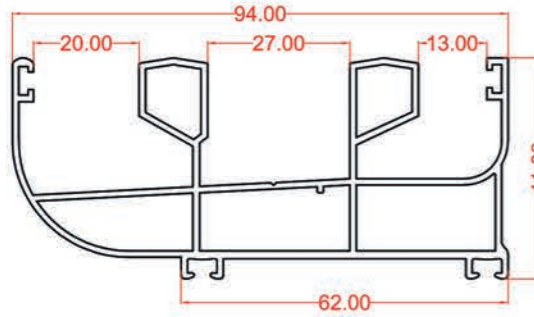
Systems without Thermal Break



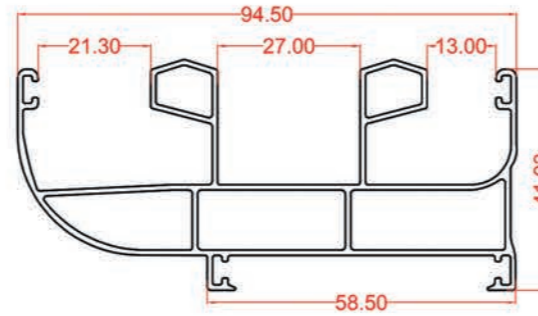
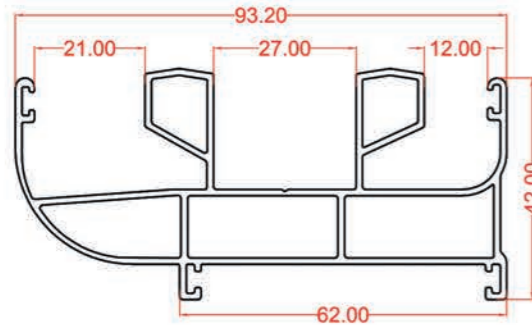
Systems without Thermal Break



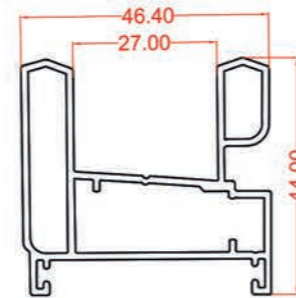
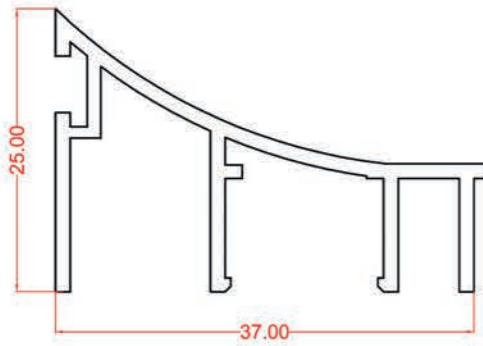
Systems without Thermal Break



Weight: 1.400 kg/m M.SI 60-120-L M.SI 60-120 Weight: 1.315 kg/m



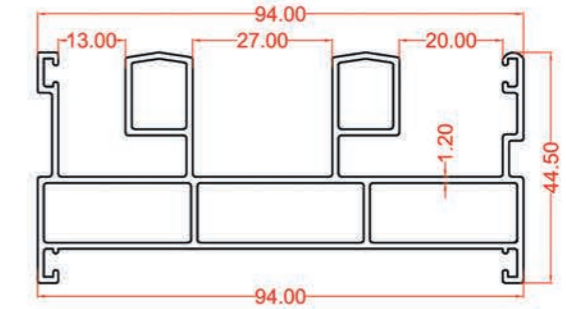
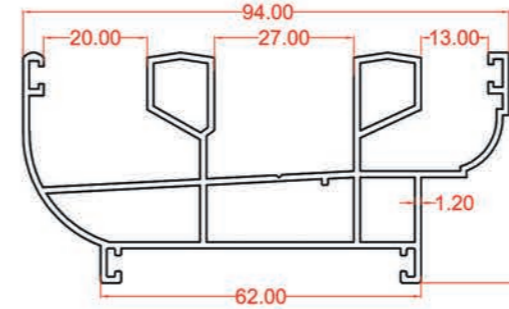
Weight: 1.425 kg/m M.SI 60-120-A M.SI 60-120-B Weight: 1.200 kg/m



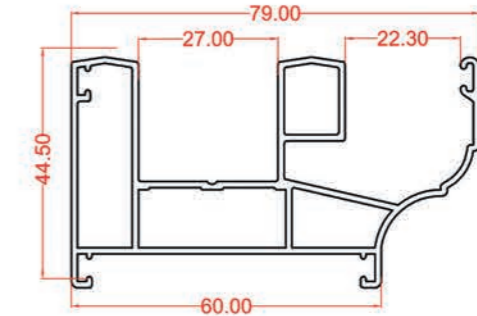
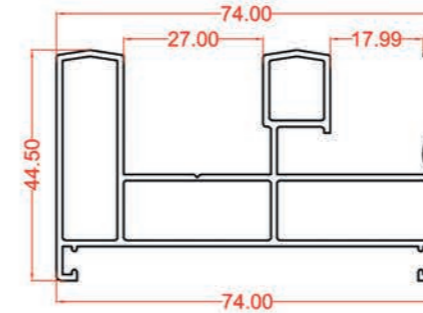
Weight: 0.340 kg/m M.SI 60-116 M.SI 60-125-B Weight: 0.960 kg/m



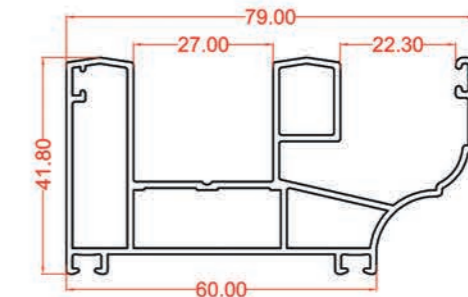
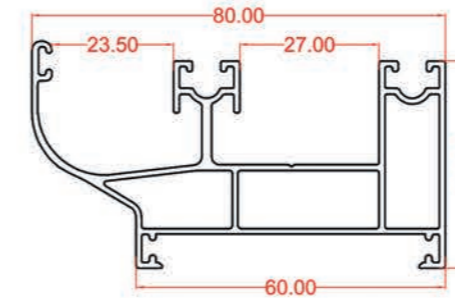
Systems without Thermal Break



Weight: 1.400 kg/m M.SI 60-100 M.SI 60-101 Weight: 1.450 kg/m



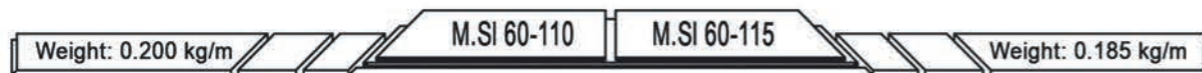
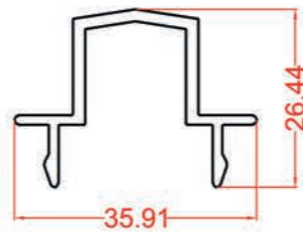
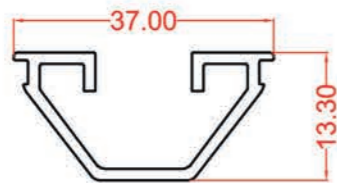
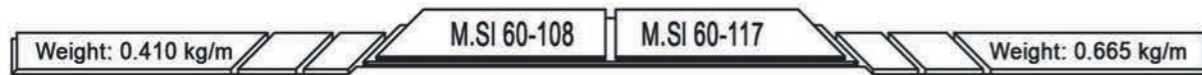
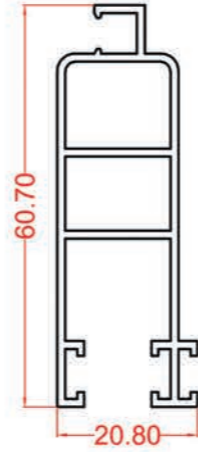
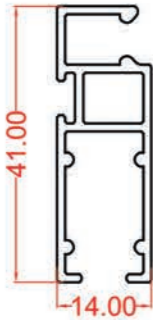
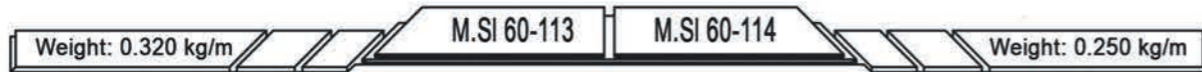
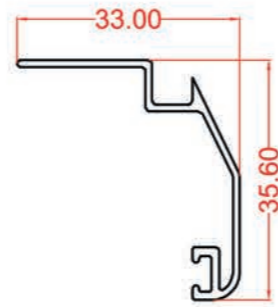
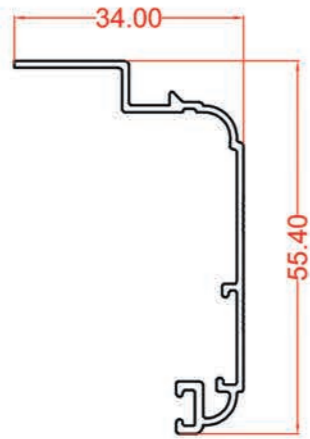
Weight: 1.115 kg/m M.SI 60-102 M.SI 60-103 Weight: 1.115 kg/m



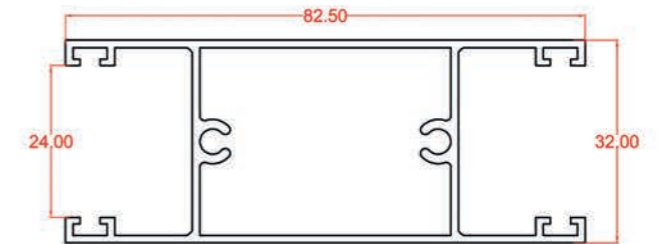
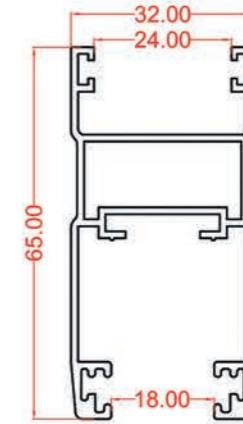
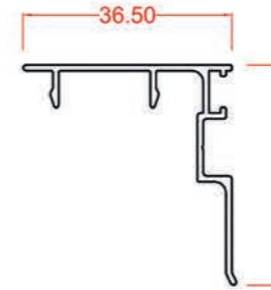
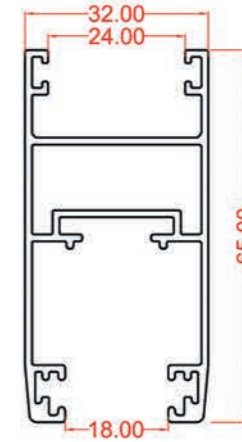
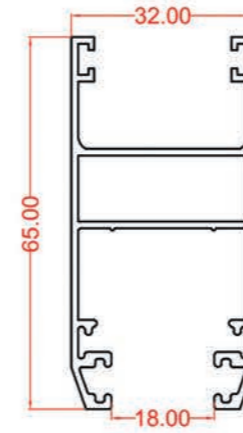
Weight: 1.085 kg/m M.SI 60-103-C M.SI 60-103-L Weight: 1.115 kg/m



Systems without Thermal Break

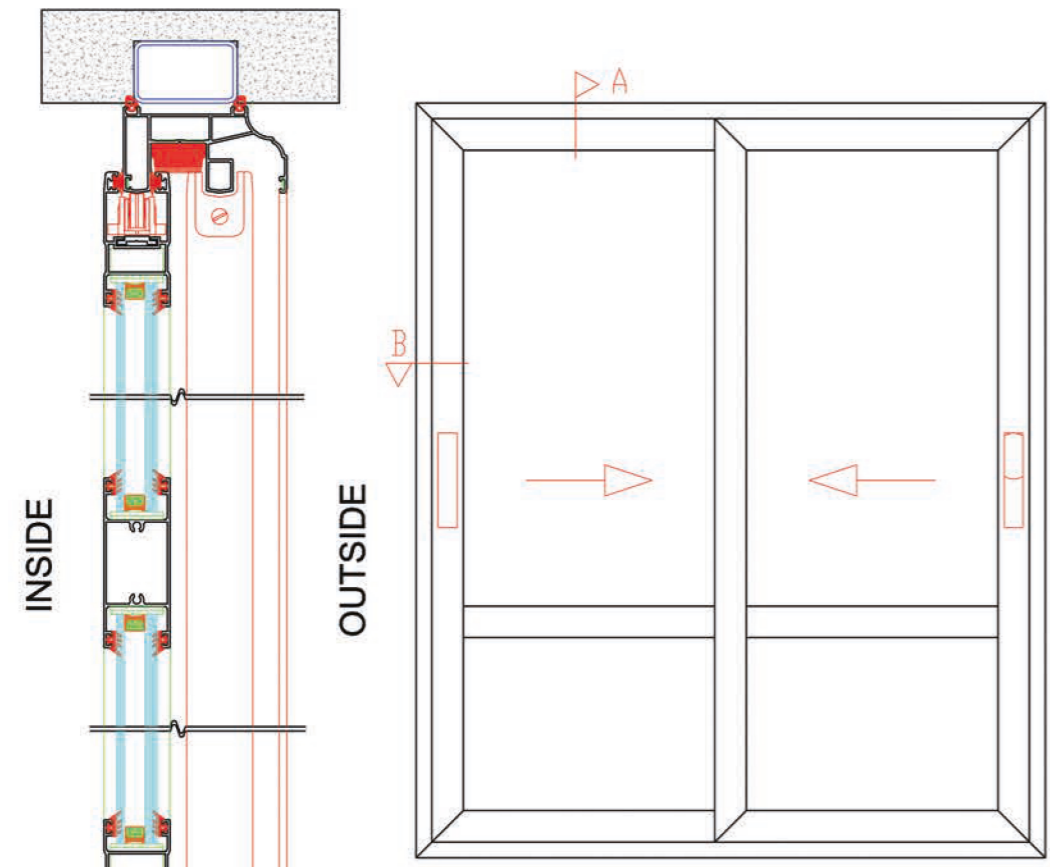


Systems without Thermal Break

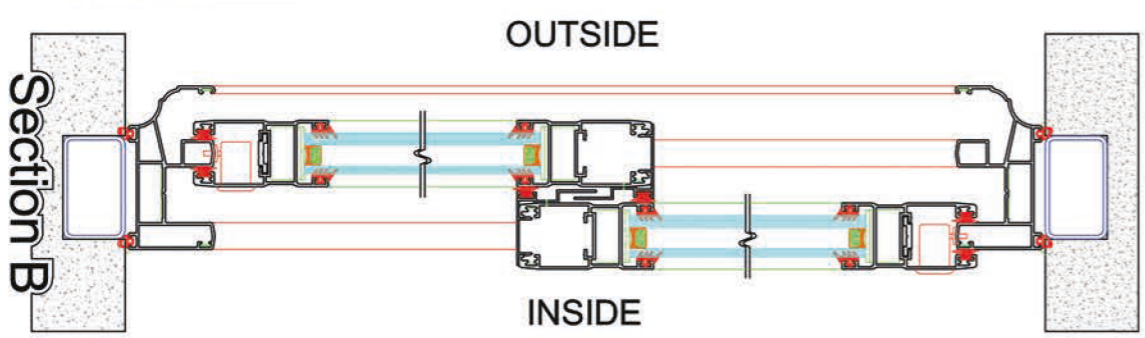




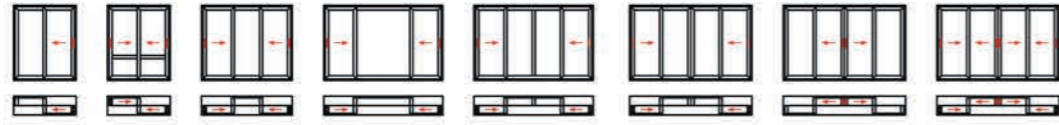
Systems without Thermal Break



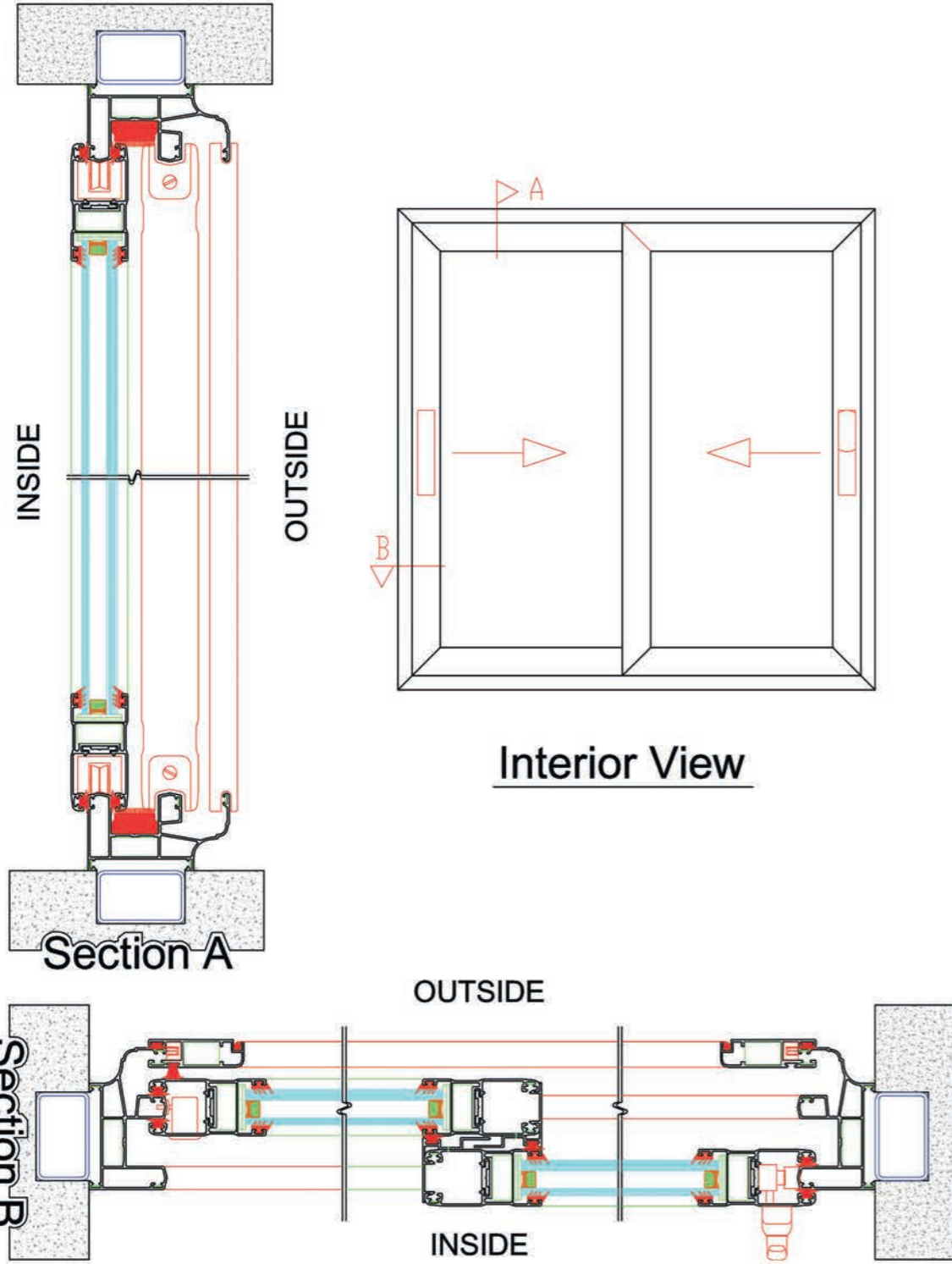
Interior View



Systems without Thermal Break



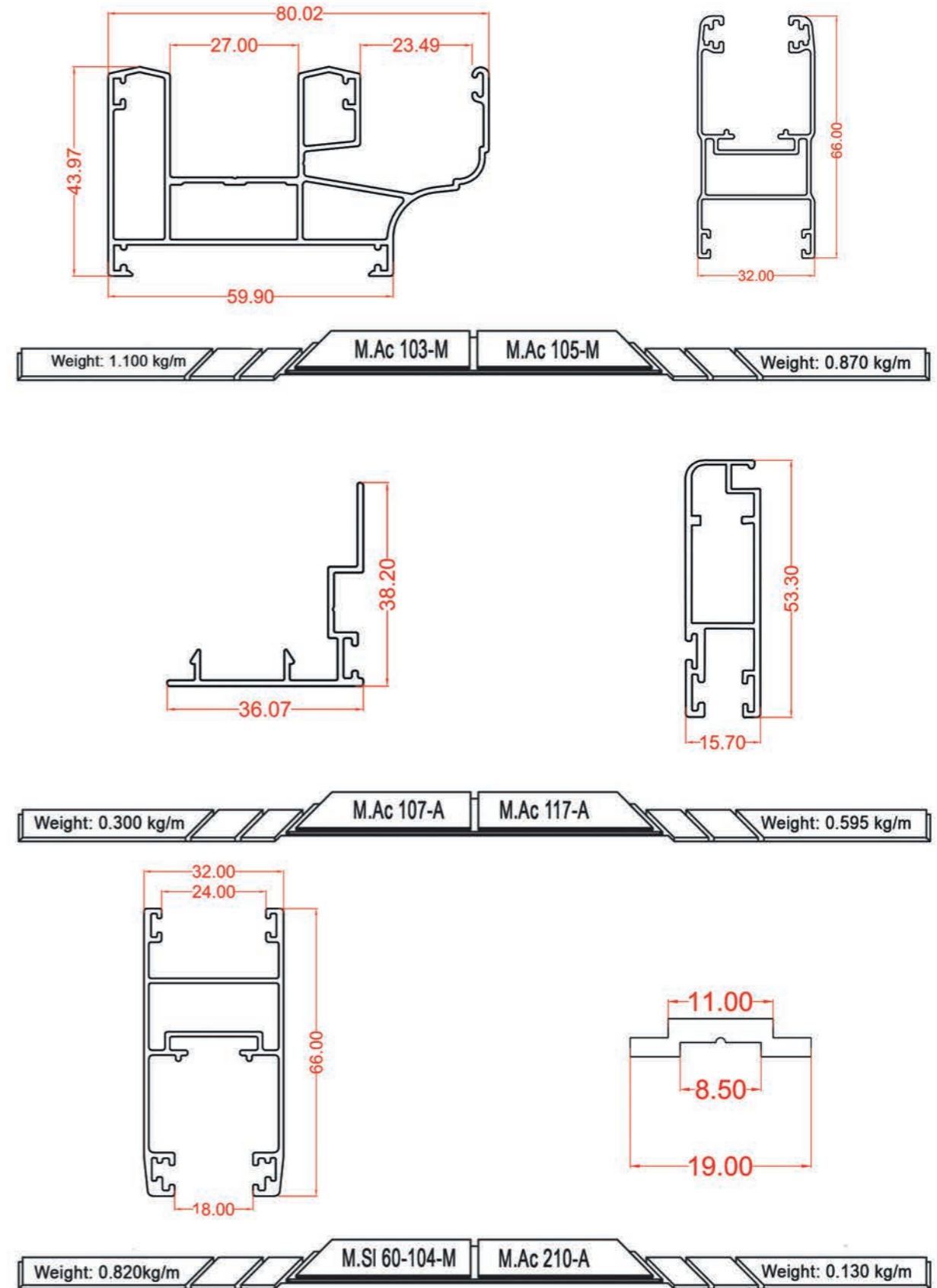
Systems without Thermal Break

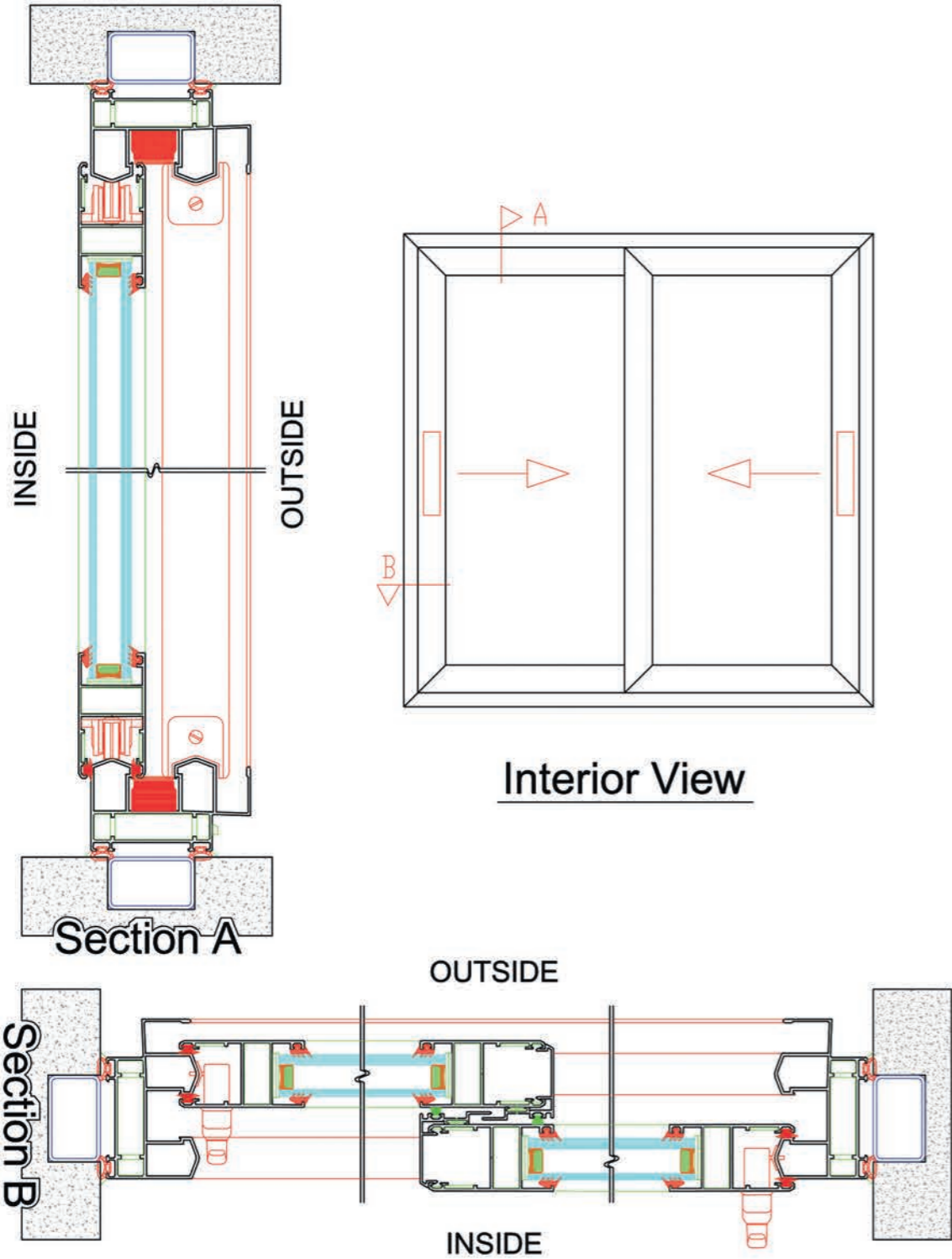


Interior View



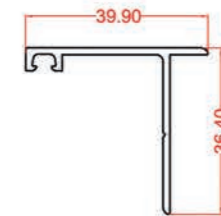
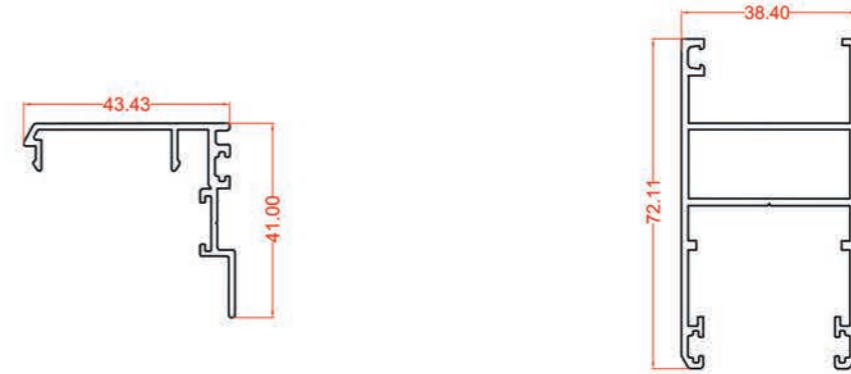
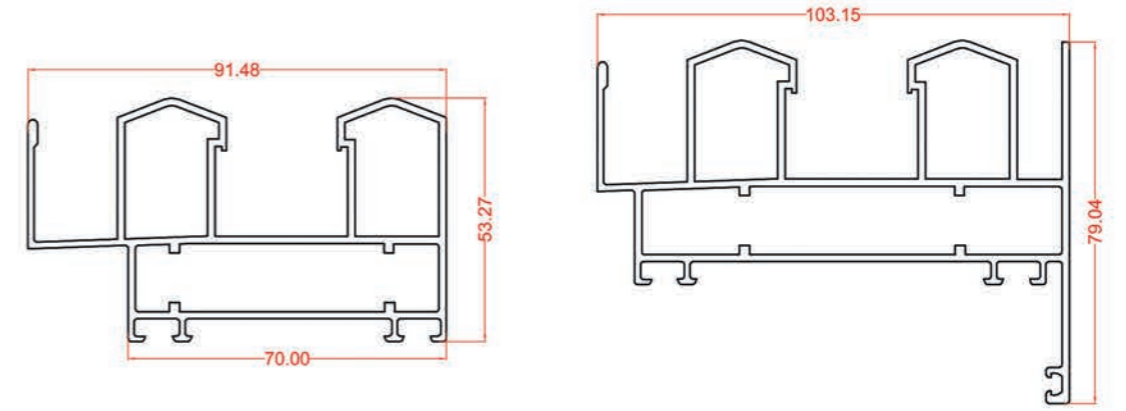
Systems without Thermal Break





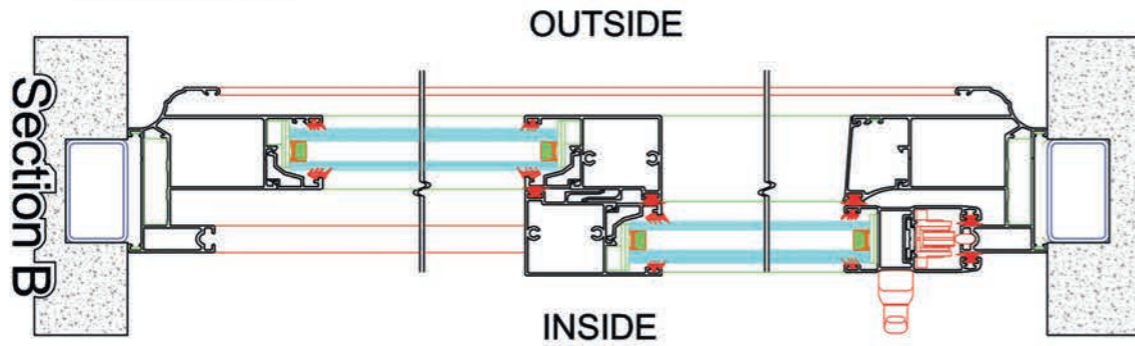
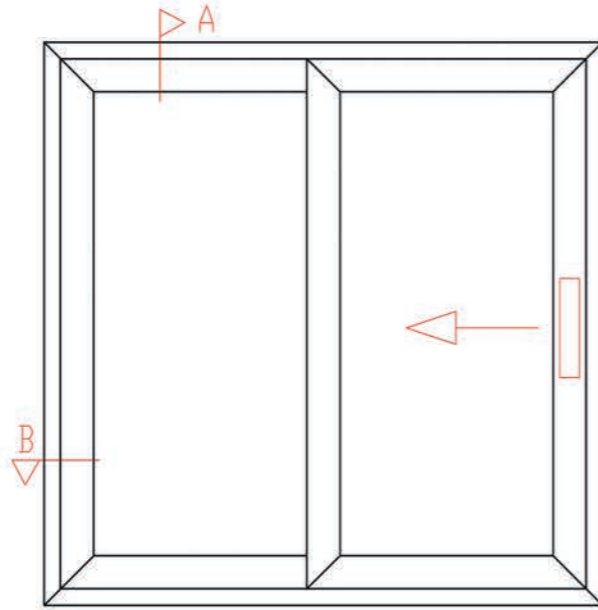
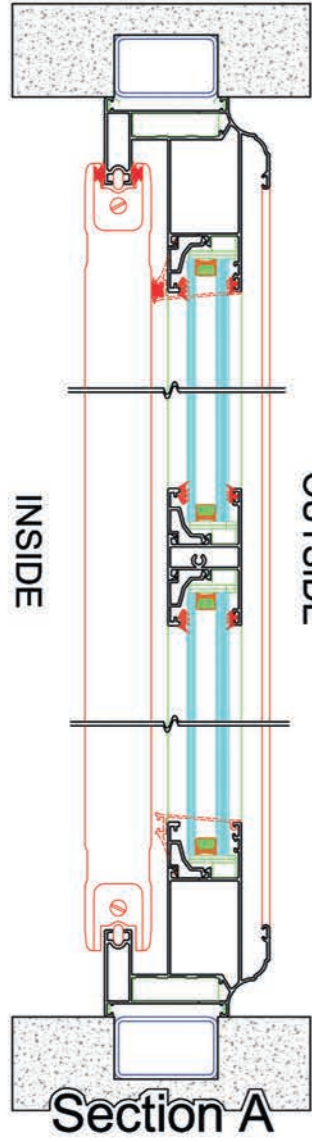
Systems without Thermal Break

Systems without Thermal Break

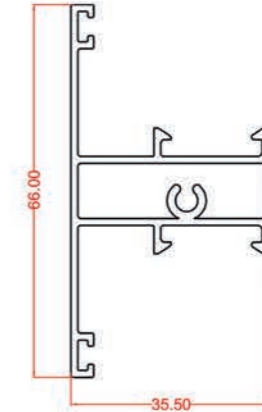
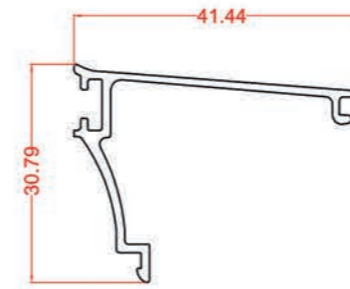
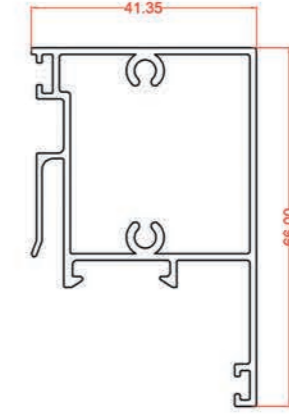
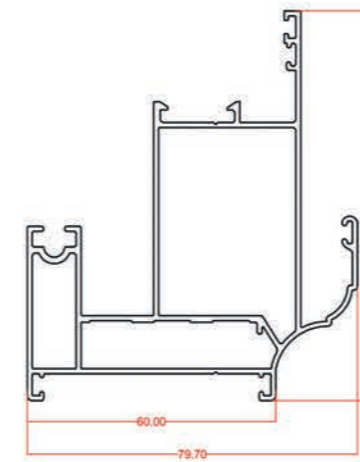




Systems without Thermal Break

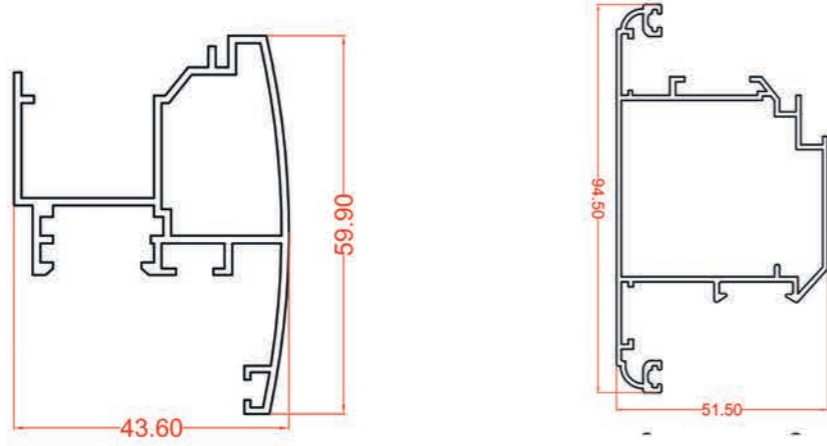


Systems without Thermal Break





Systems without Thermal Break



Weight: 0.665 kg/m | M.Hi 60-207 | M.Hi 60-213 | Weight: 1.050 kg/m



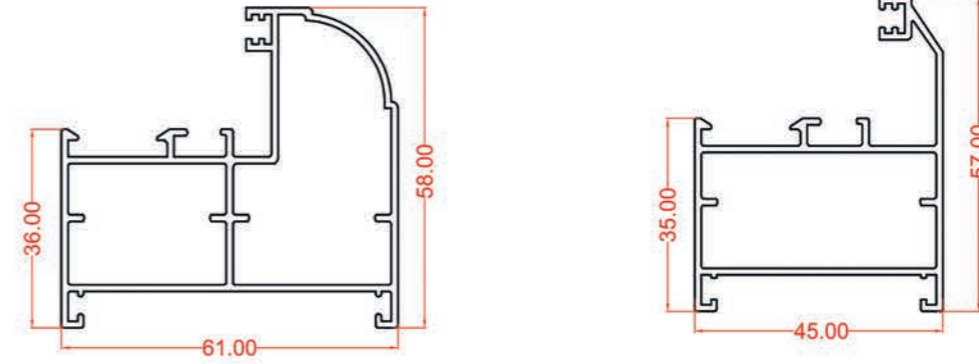
Weight: 0.765 kg/m | M.Hi 60-215 | M.Hi 60-215A | Weight: 0.580 kg/m



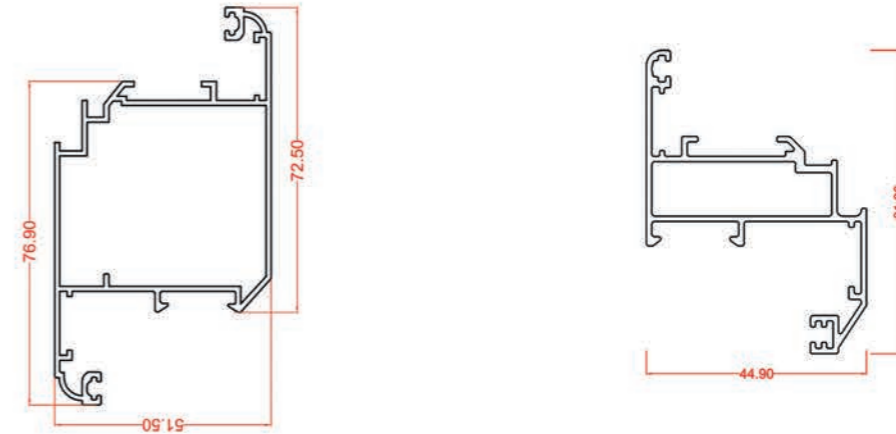
Weight: 0.280 kg/m | M.Hi 60-208 | M.Hi 60-209 | Weight: 0.210 kg/m



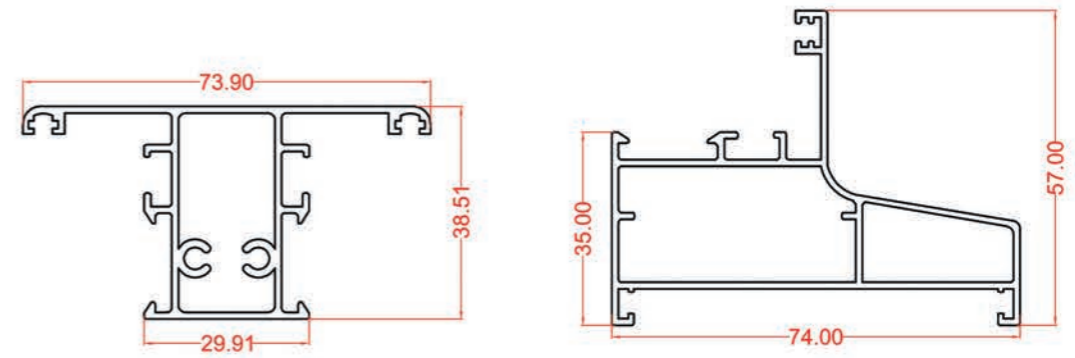
Systems without Thermal Break



Weight: 0.950 kg/m | M.Hi 60-201 | M.Hi 60-202 | Weight: 0.775 kg/m



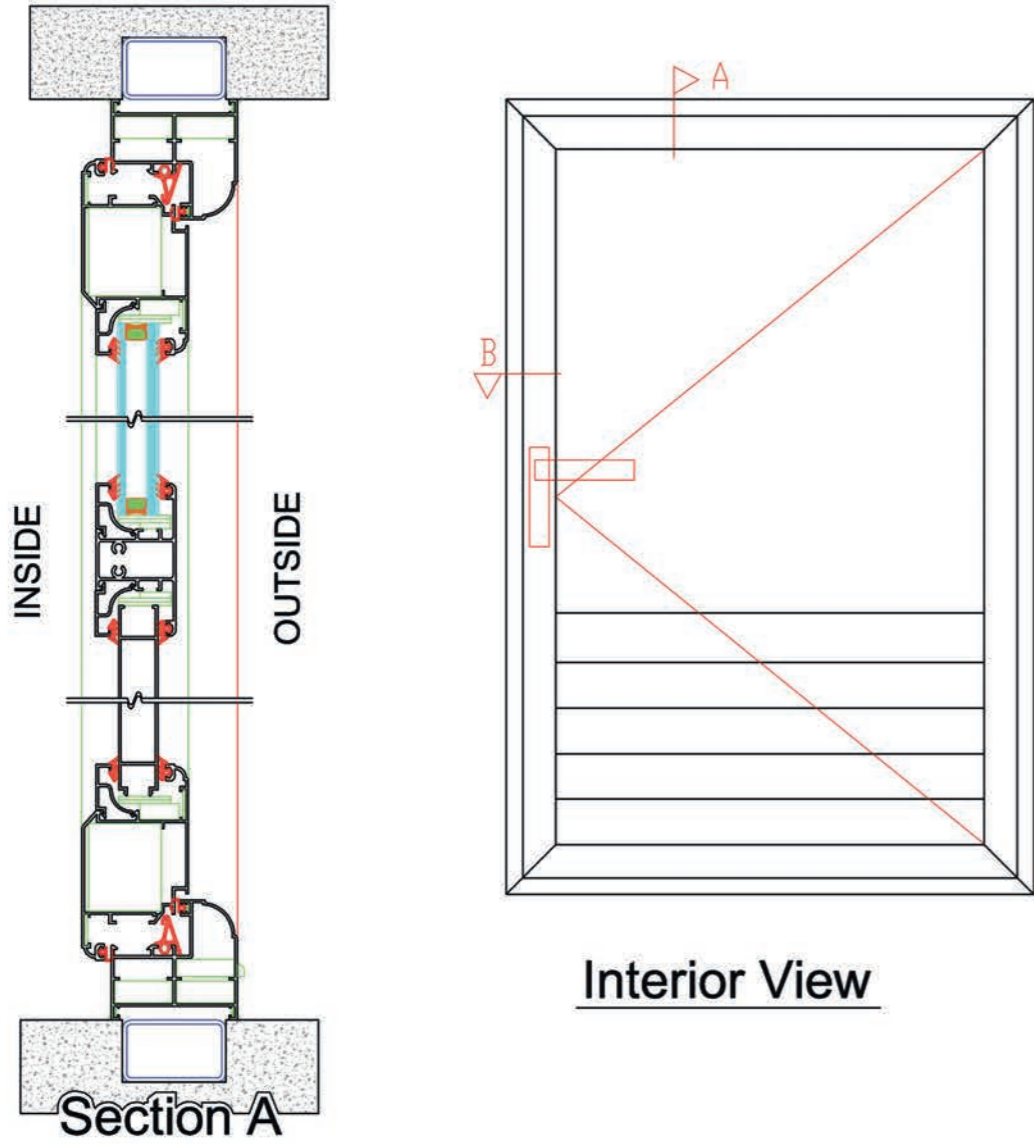
Weight: 1.100 kg/m | M.Hi 60-203-B | M.Hi 60-204B | Weight: 0.750 kg/m



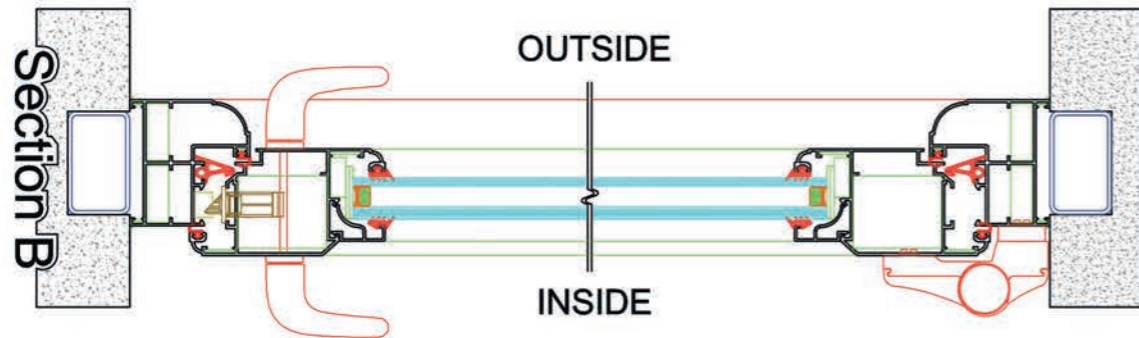
Weight: 0.900 kg/m | M.Hi 60-205 | M.Hi 60-206 | Weight: 0.910 kg/m



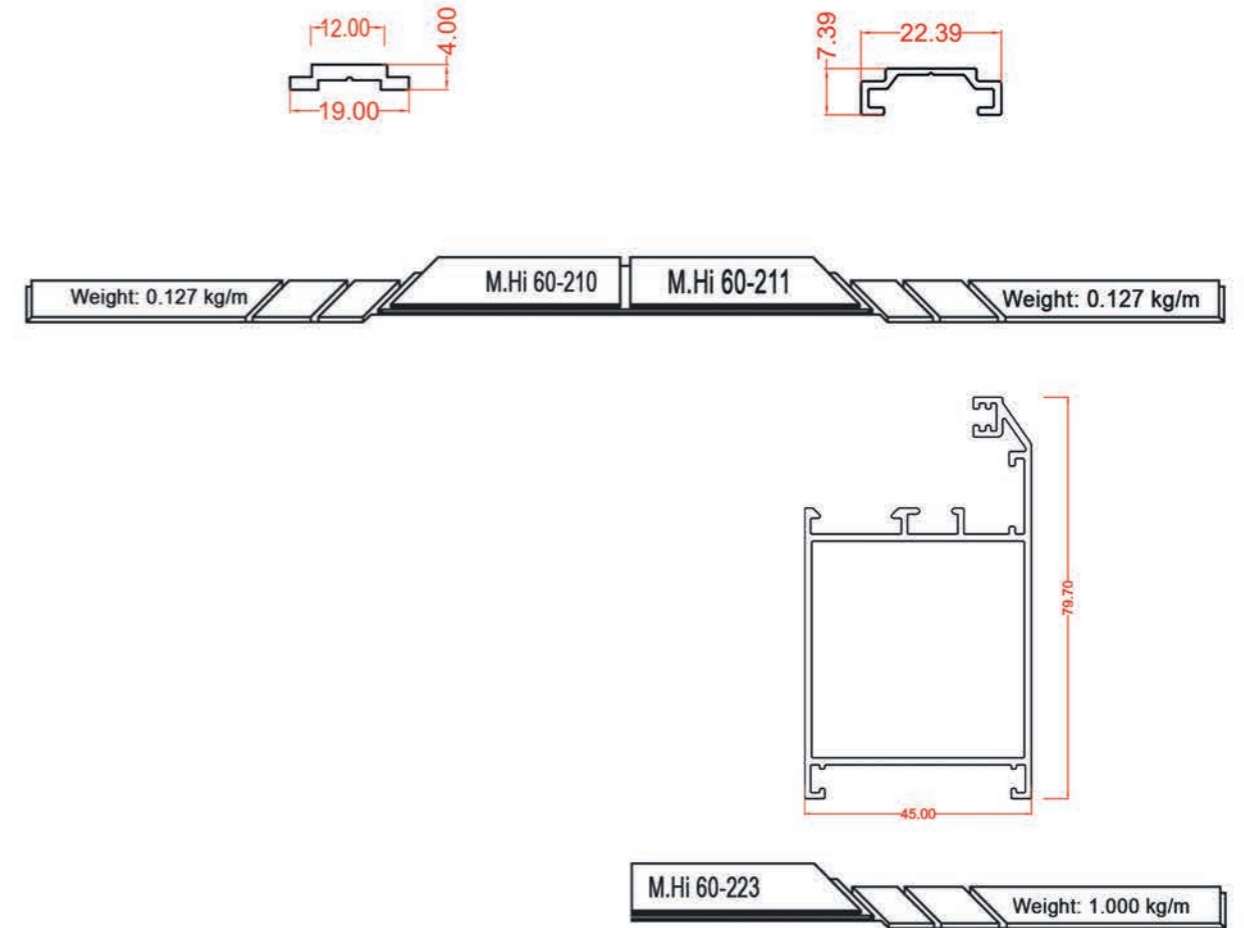
Systems without Thermal Break



Interior View

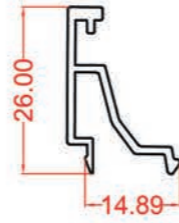
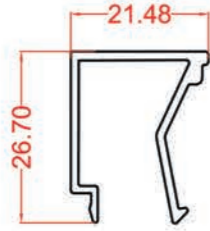


Systems without Thermal Break

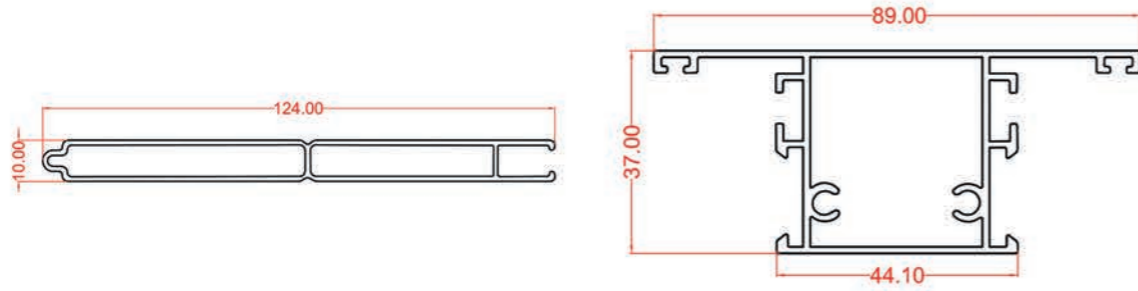




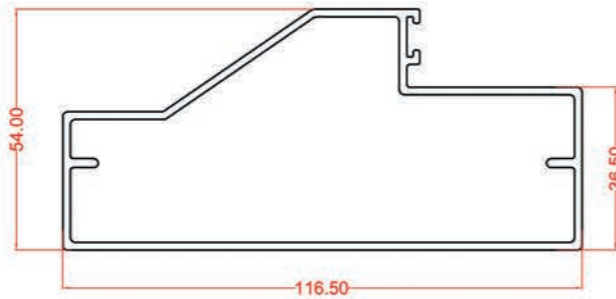
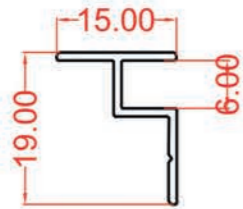
Systems without Thermal Break



Weight: 0.258 kg/m M.Ac 208A M.Ac 209A Weight: 0.240 kg/m



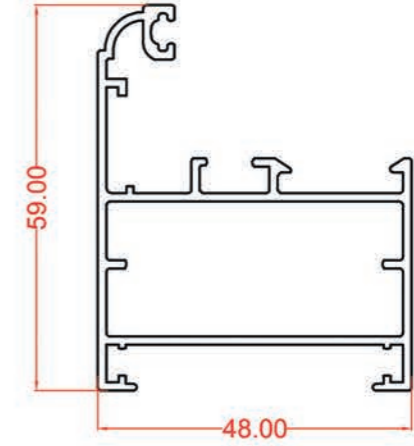
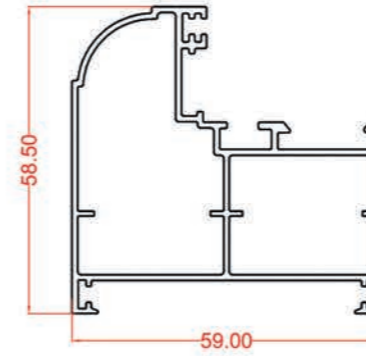
Weight: 0.933 kg/m M.Ac 212A M.Ac 213A Weight: 0.883 kg/m



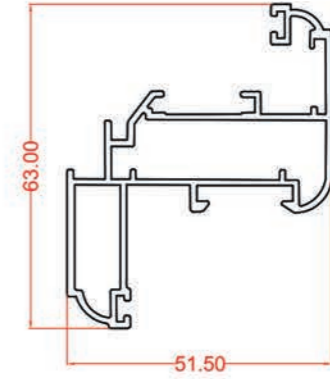
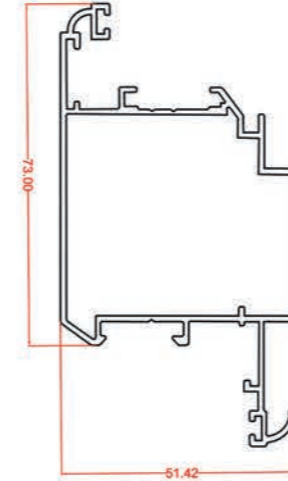
Weight: 0.110 kg/m M.Ac 221 M.Ac 222 Weight: 1.493 kg/m



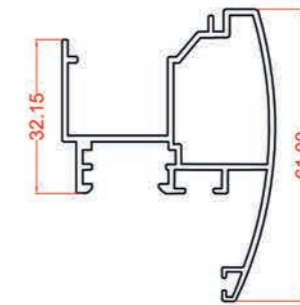
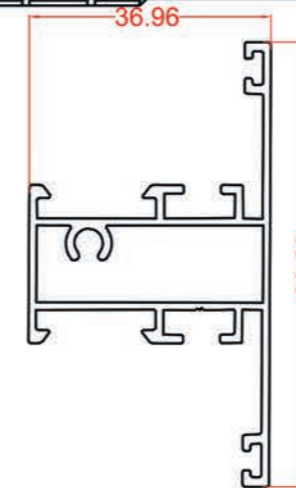
Systems without Thermal Break



Weight: 0.980 kg/m M.Ac 201A M.Ac 202A Weight: 0.908 kg/m



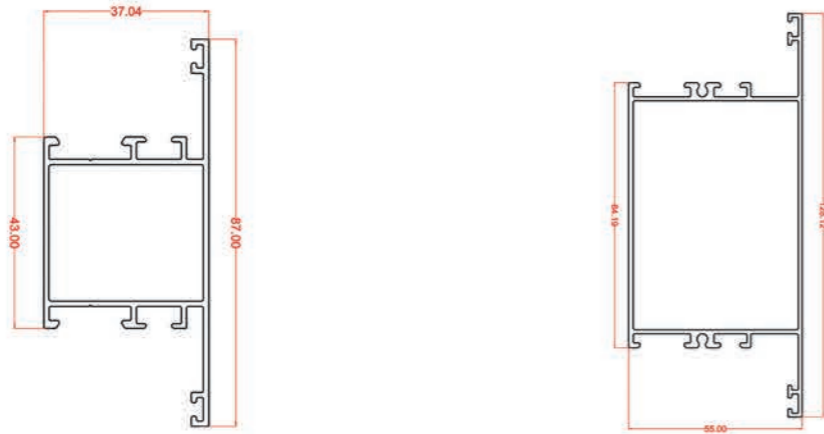
Weight: 1.238 kg/m M.Ac 203A M.Ac 204A Weight: 0.850 kg/m



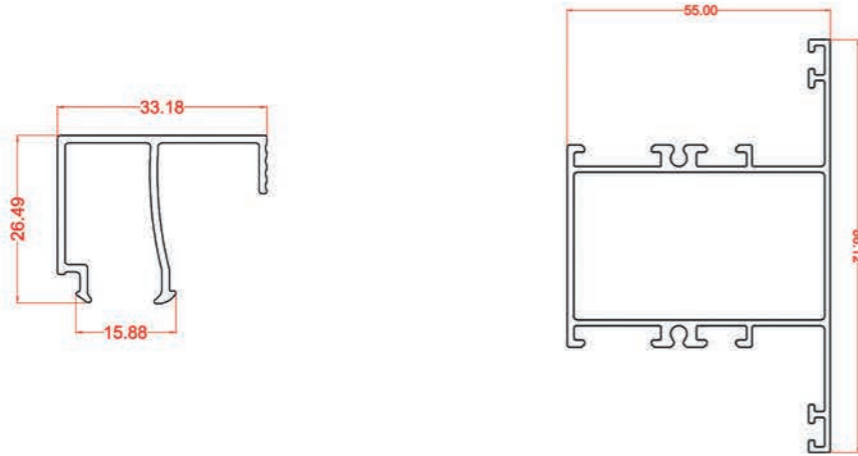
Weight: 0.774 kg/m M.Ac 205A M.Ac 207A Weight: 0.680 kg/m



Systems without Thermal Break



Weight: 0.893 kg/m M.Ko 002 M.Ko 016 Weight: 1.516 kg/m



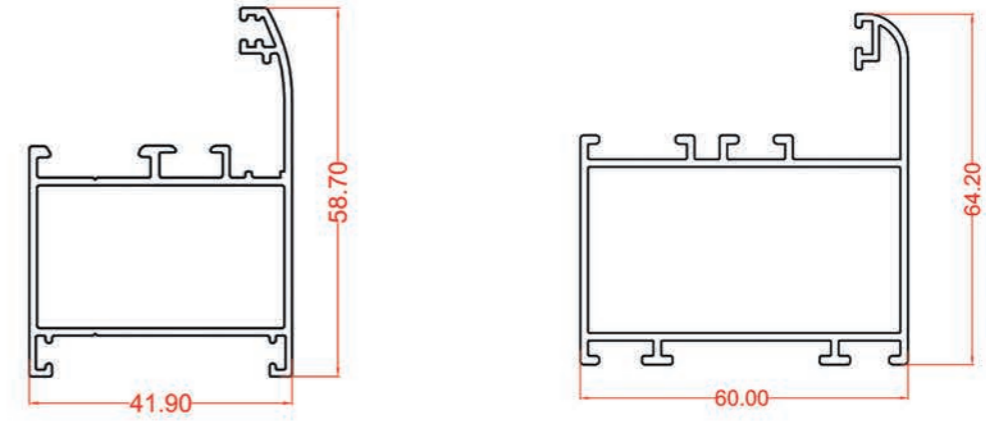
Weight: 0.335 kg/m M.Ko 014 M.Ko 011 Weight: 1.120 kg/m



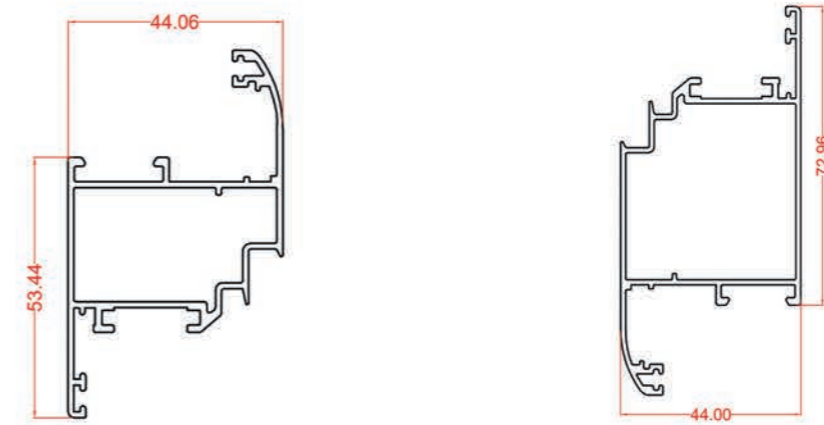
Weight: 0.196 kg/m M.Ko 005 M.Ko 015 Weight: 0.250 kg/m



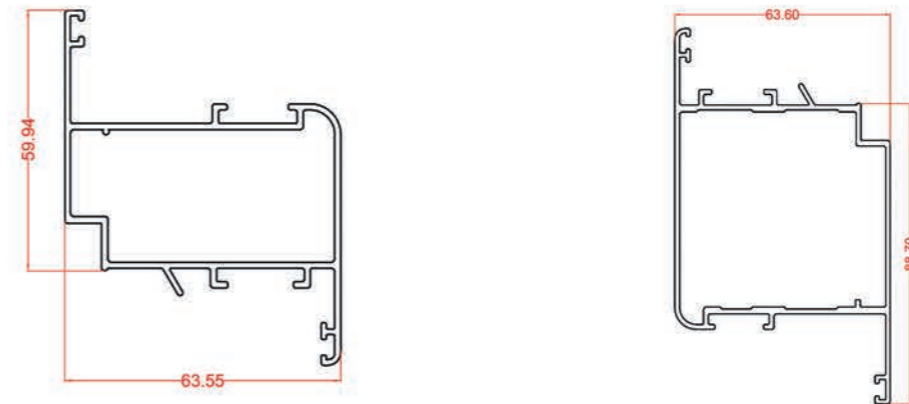
Systems without Thermal Break



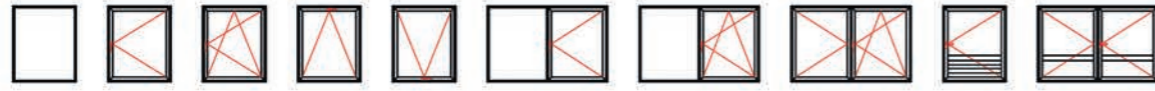
Weight: 0.758 kg/m M.Ko 001 M.Ko 010 Weight: 1.100 kg/m



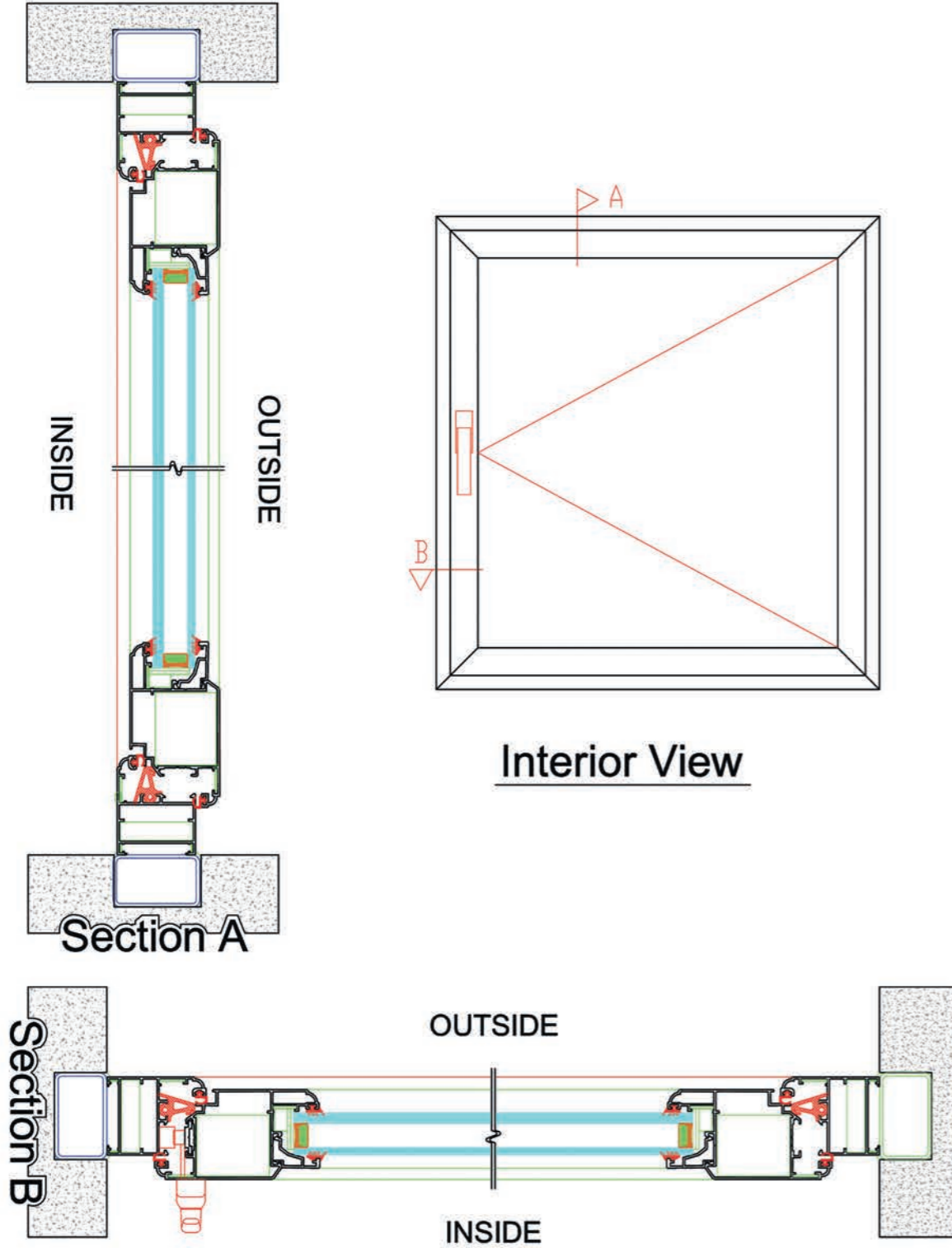
Weight: 0.850 kg/m M.Ko 003 M.Ko 004 Weight: 1.013 kg/m



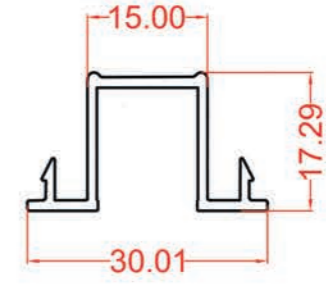
Weight: 1.180 kg/m M.Ko 012 M.Ko 013 Weight: 1.550 kg/m



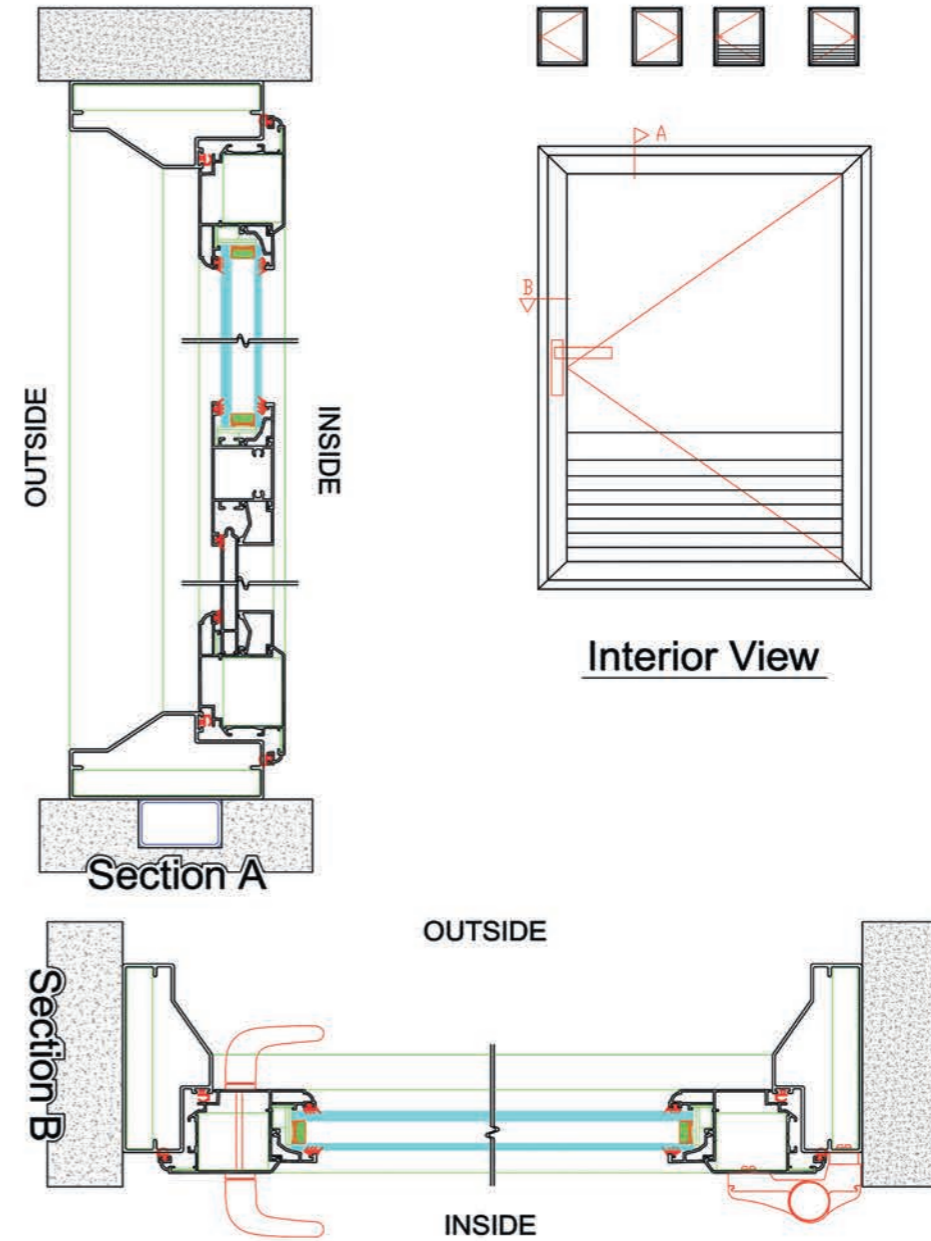
Systems without Thermal Break



Systems without Thermal Break



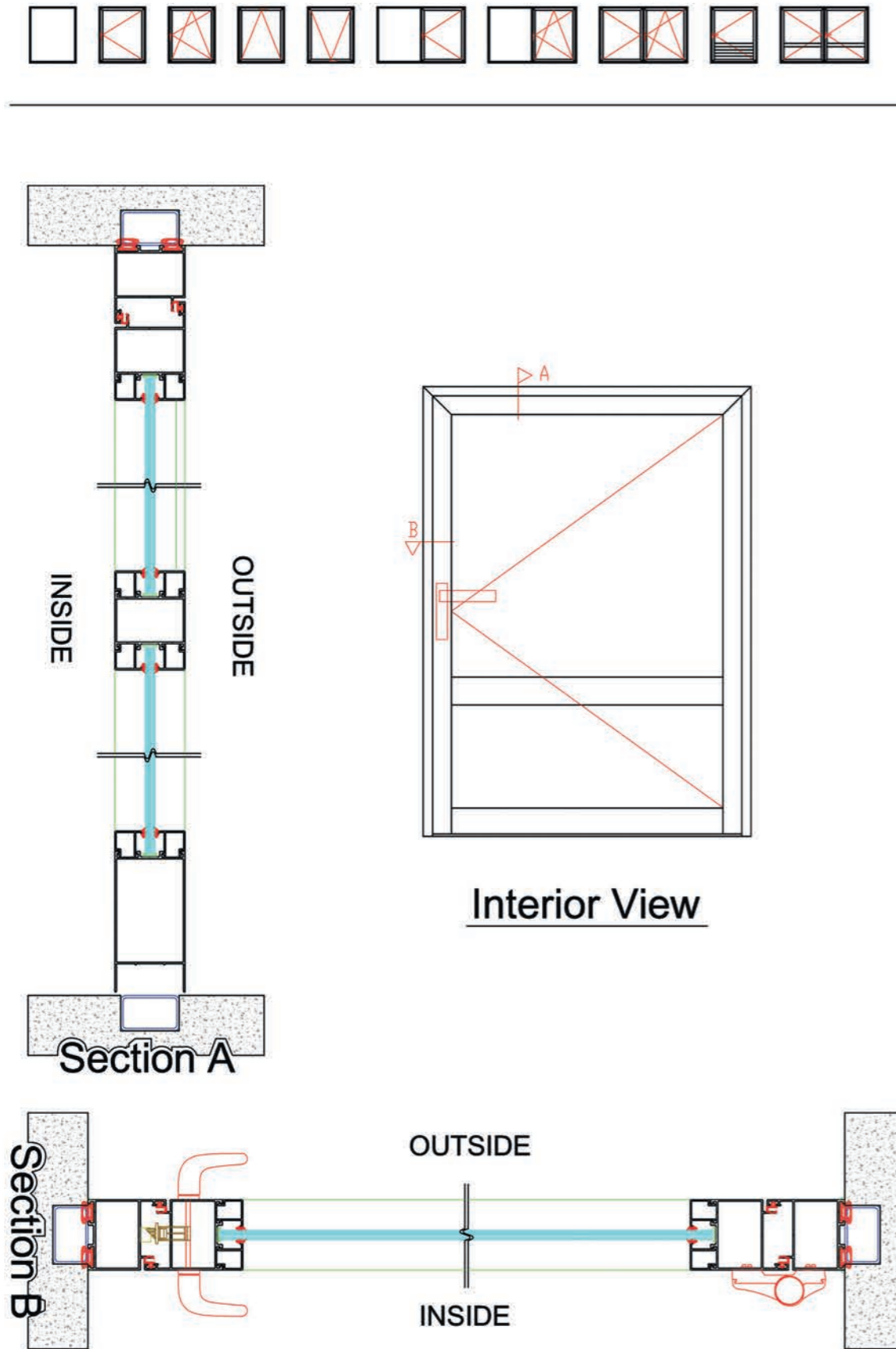
M.Ac 206A Weight: 0.235 kg/m



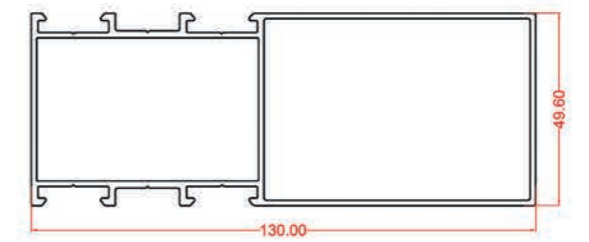
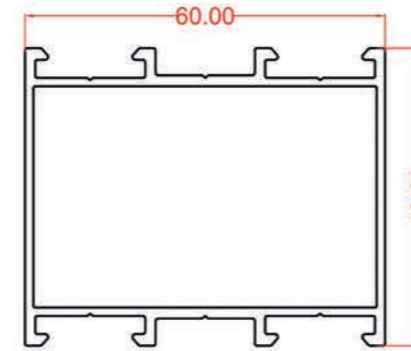
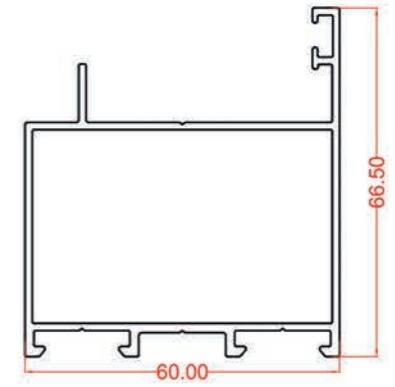
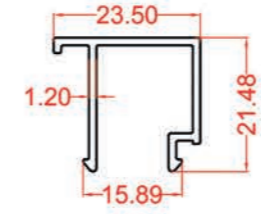


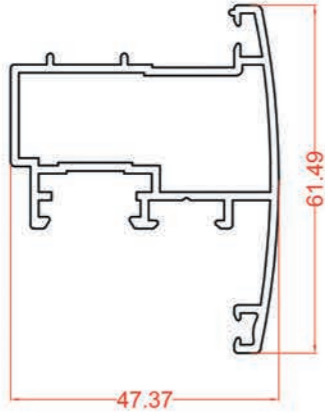
Systems without Thermal Break

Systems without Thermal Break

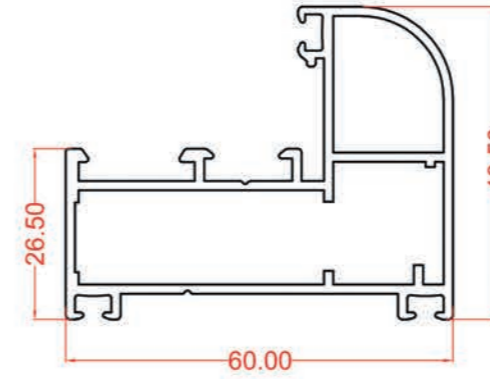


Interior View

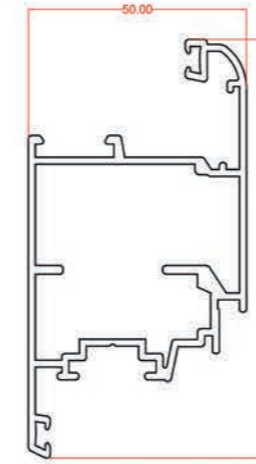
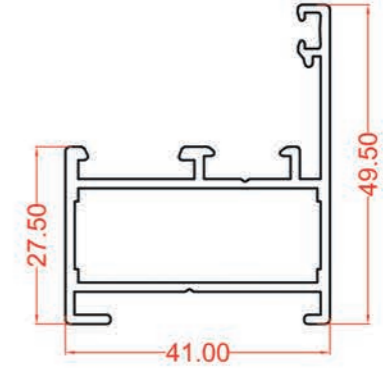




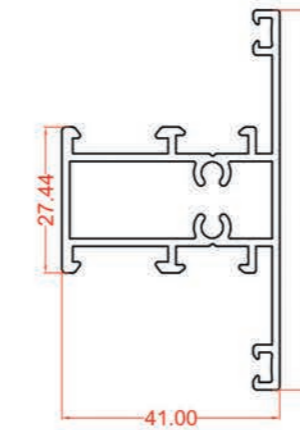
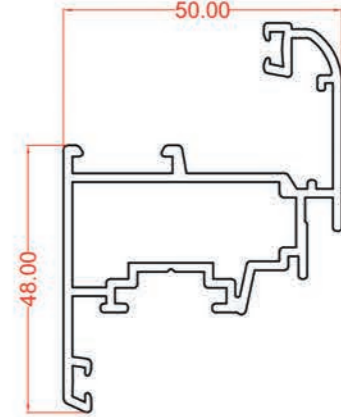
Weight: 0.875 kg/m M.Hi 237



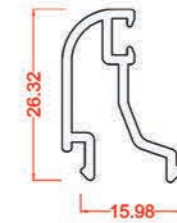
Weight: 1.025 kg/m M.Hi 231 M.Hi 232 Weight: 0.708 kg/m



Weight: 1.420 kg/m M.Hi 233 M.Hi 234 Weight: 1.080 kg/m

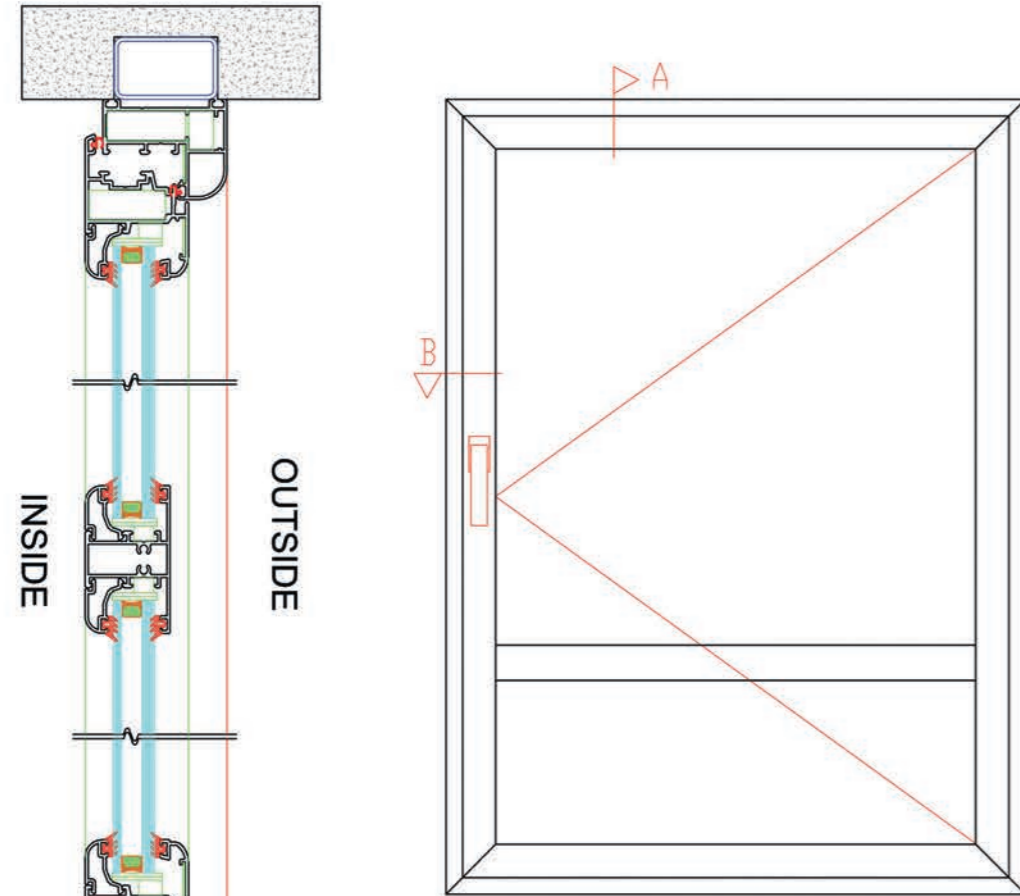


Weight: 0.950 kg/m M.Hi 235 M.Hi 60-236 Weight: 0.283 kg/m



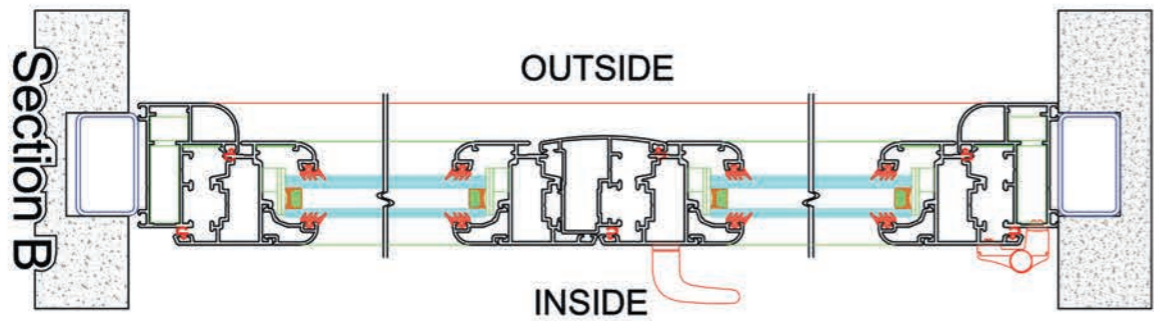


Systems without Thermal Break

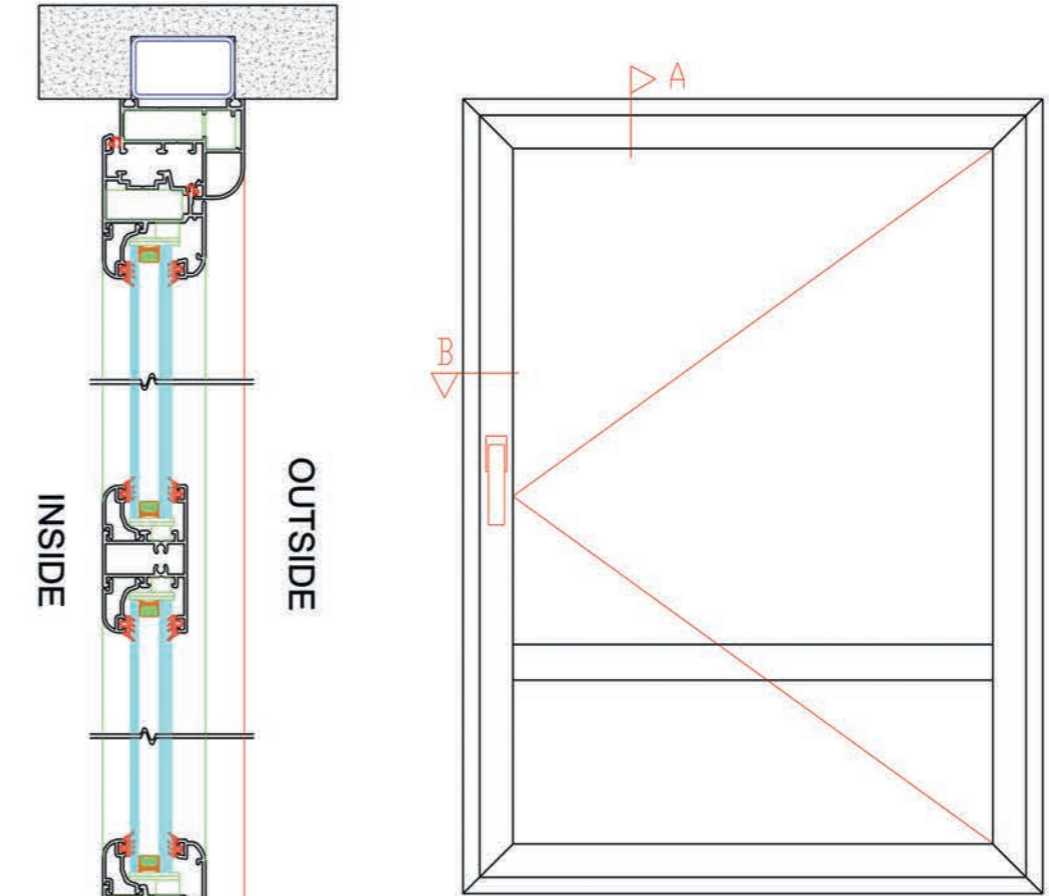


Interior View

Section A

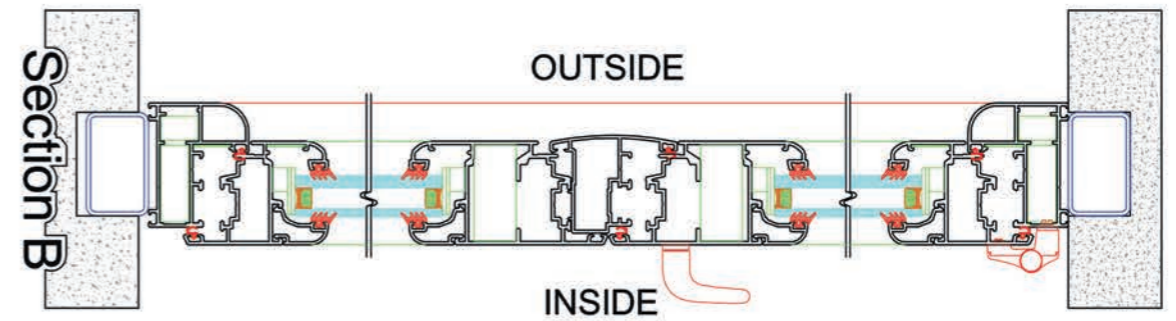


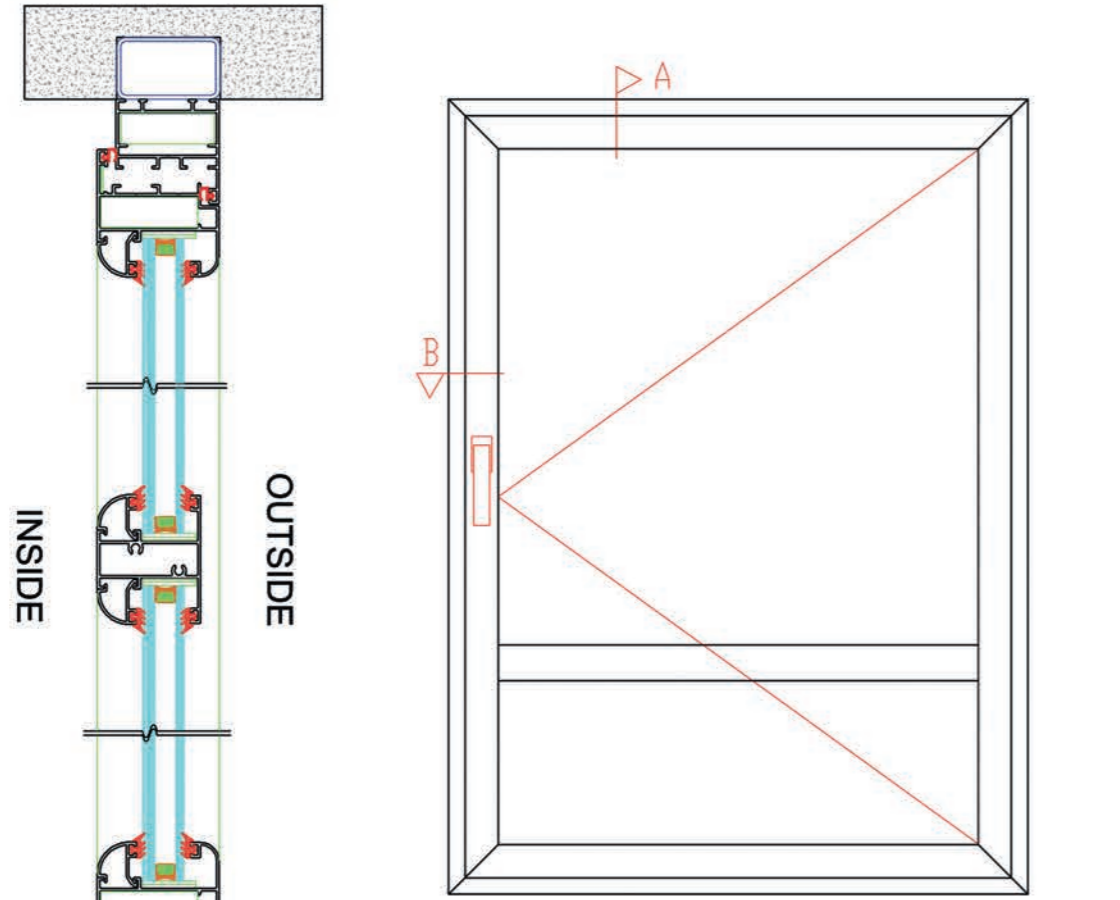
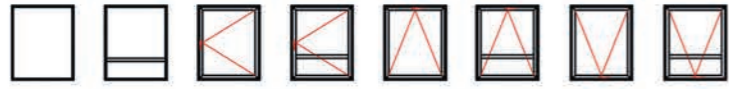
Systems without Thermal Break



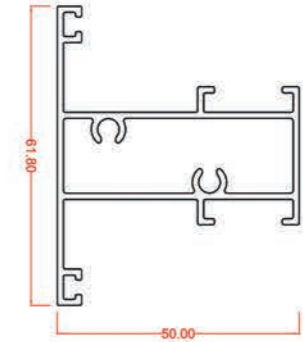
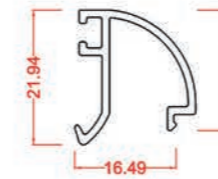
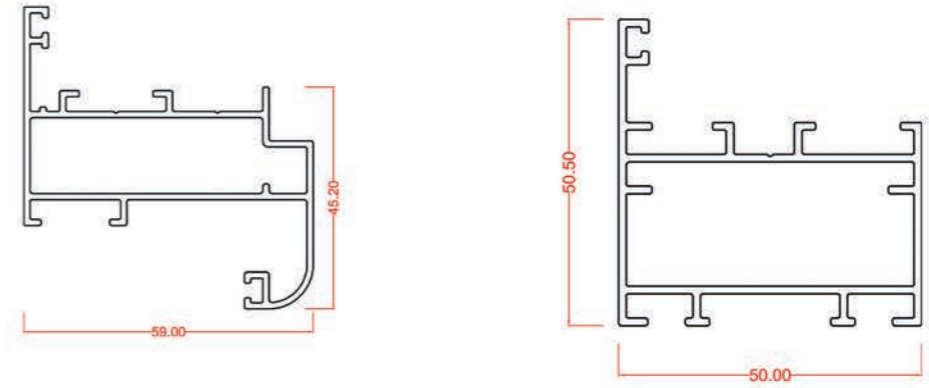
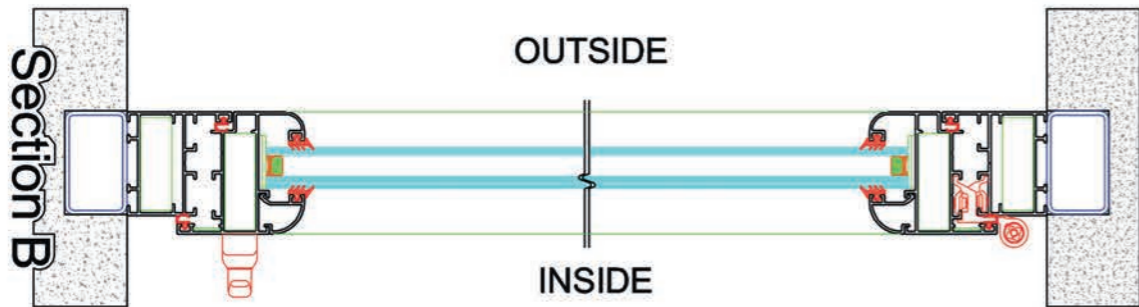
Interior View

Section A

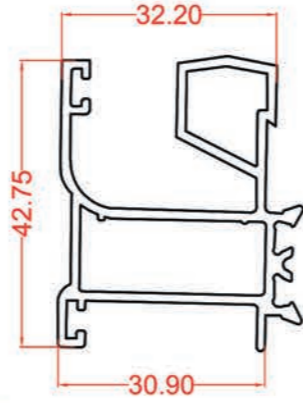
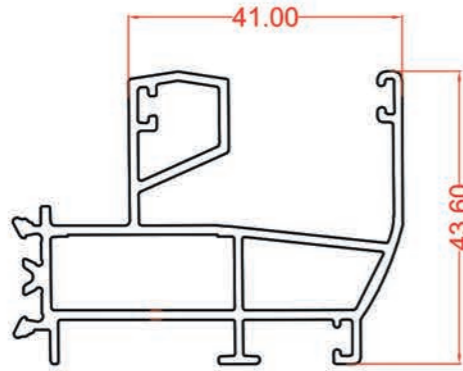




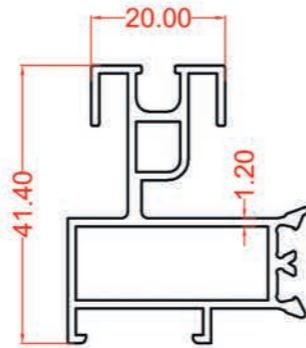
Interior View



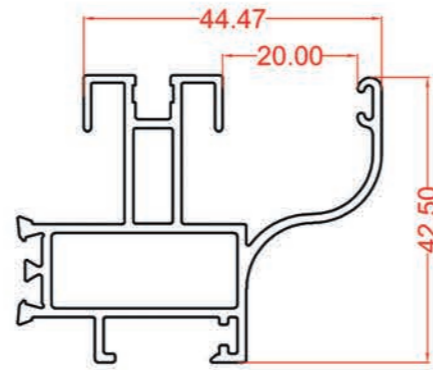
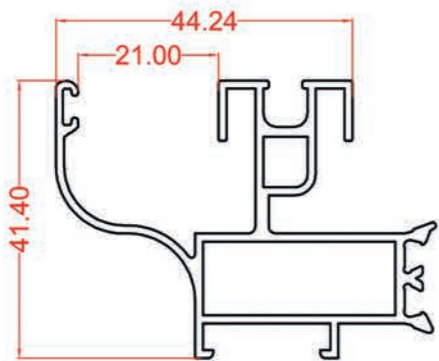
Systems without Thermal Break



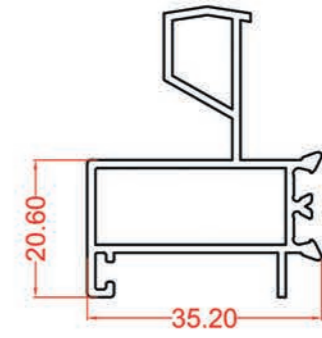
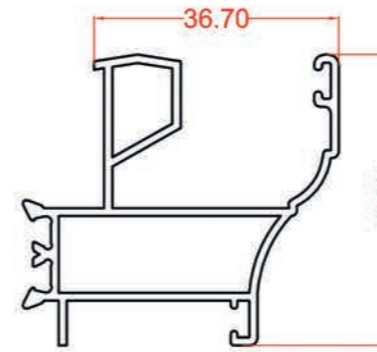
Weight: 1.020 kg/m M.Th 607 M.Th 608 Weight: 0.766 kg/m



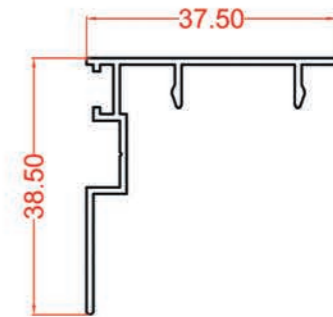
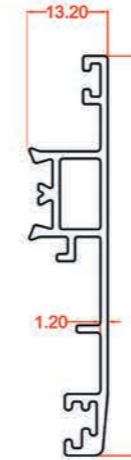
Weight: 0.120 kg/m M.Th 609 M.Th 610 Weight: 0.675 kg/m



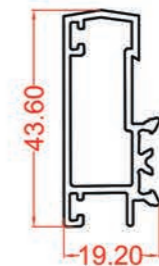
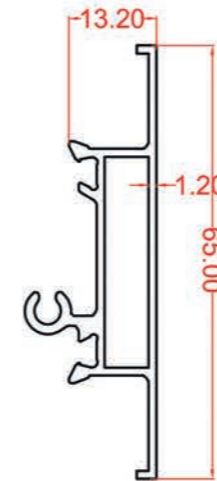
Weight: 0.816 kg/m M.Th 611 M.Th 611A Weight: 0.895 kg/m



Weight: 0.665 kg/m M.Th 601 M.Th 602 Weight: 0.565 kg/m



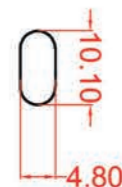
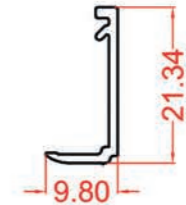
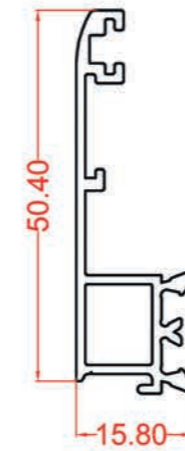
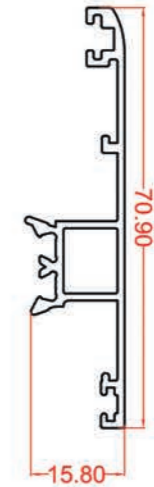
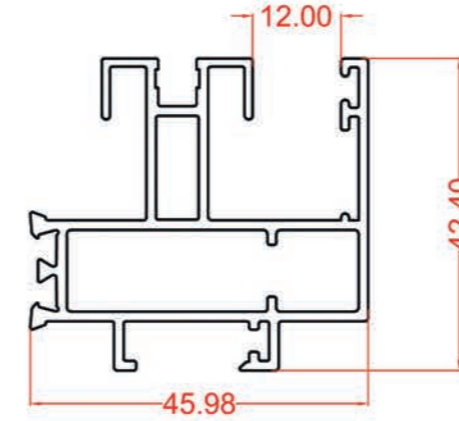
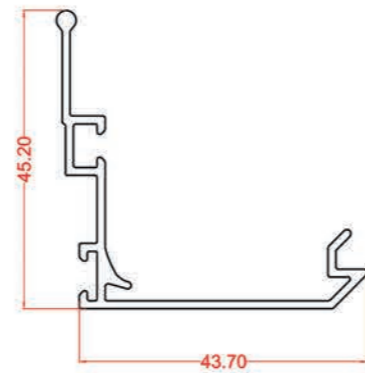
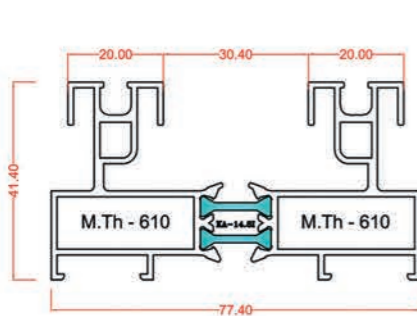
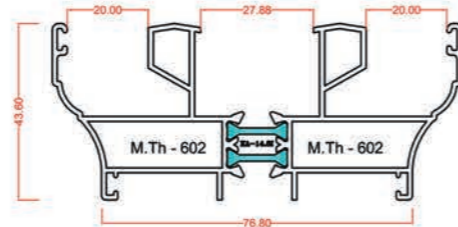
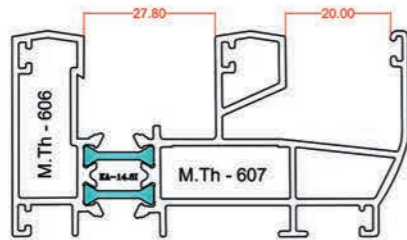
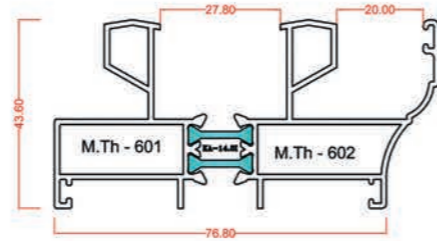
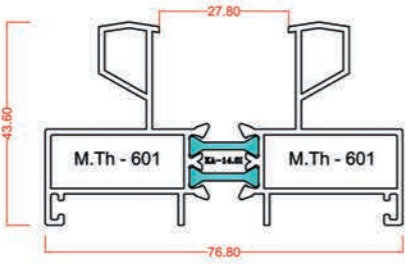
Weight: 0.483 kg/m M.Th 603 M.Th 604 Weight: 0.275 kg/m



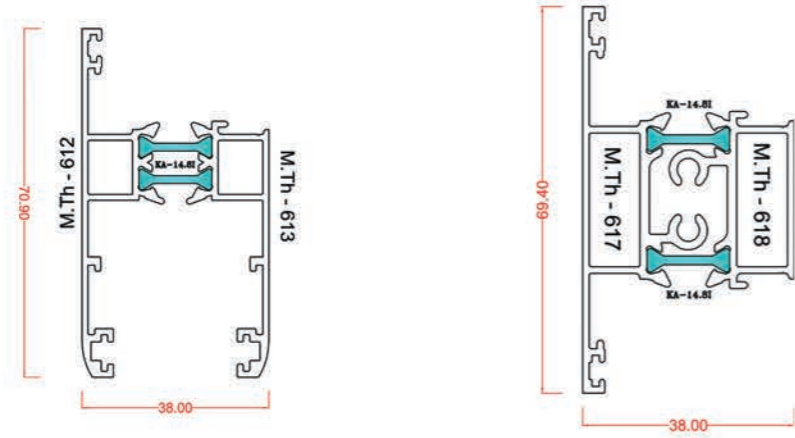
Weight: 0.590 kg/m M.Th 605 M.Th 606 Weight: 0.560 kg/m



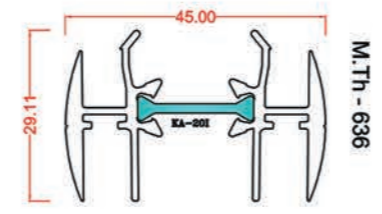
Systems with Thermal Break



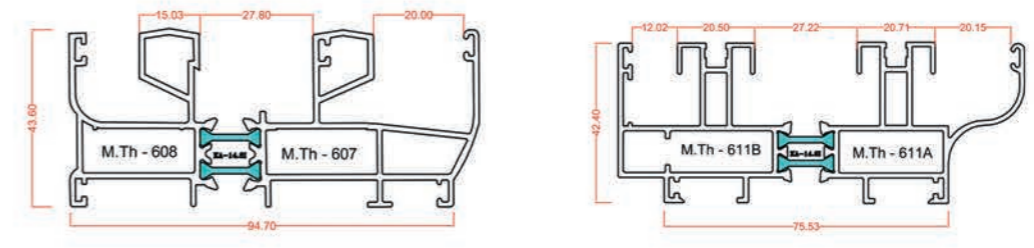
Systems with Thermal Break



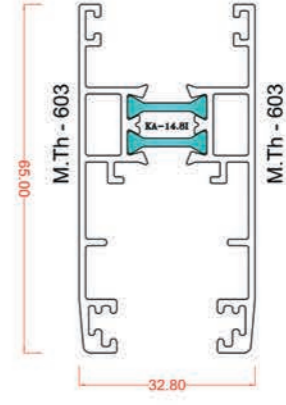
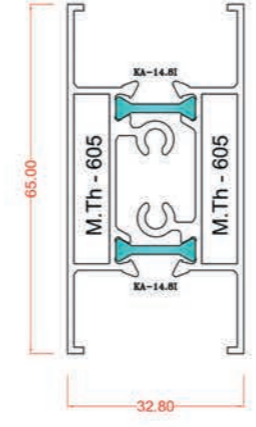
Weight: 0.953 kg/m T.683 T.688 Weight: 1.019 kg/m



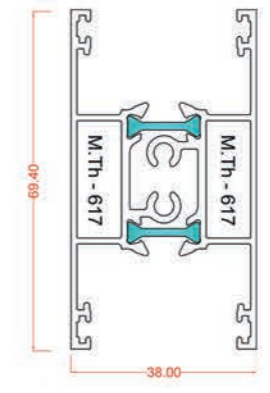
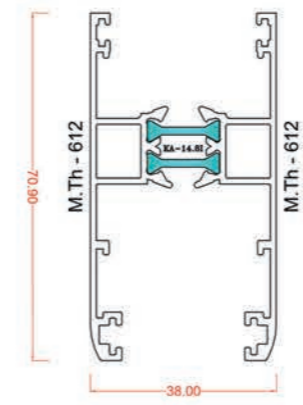
T.690 Weight: 0.660 kg/m



Weight: 1.786 kg/m T.667 T.667 Weight: 1.811 kg/m



Weight: 1.118 kg/m T.666 T.664 Weight: 0.970 kg/m

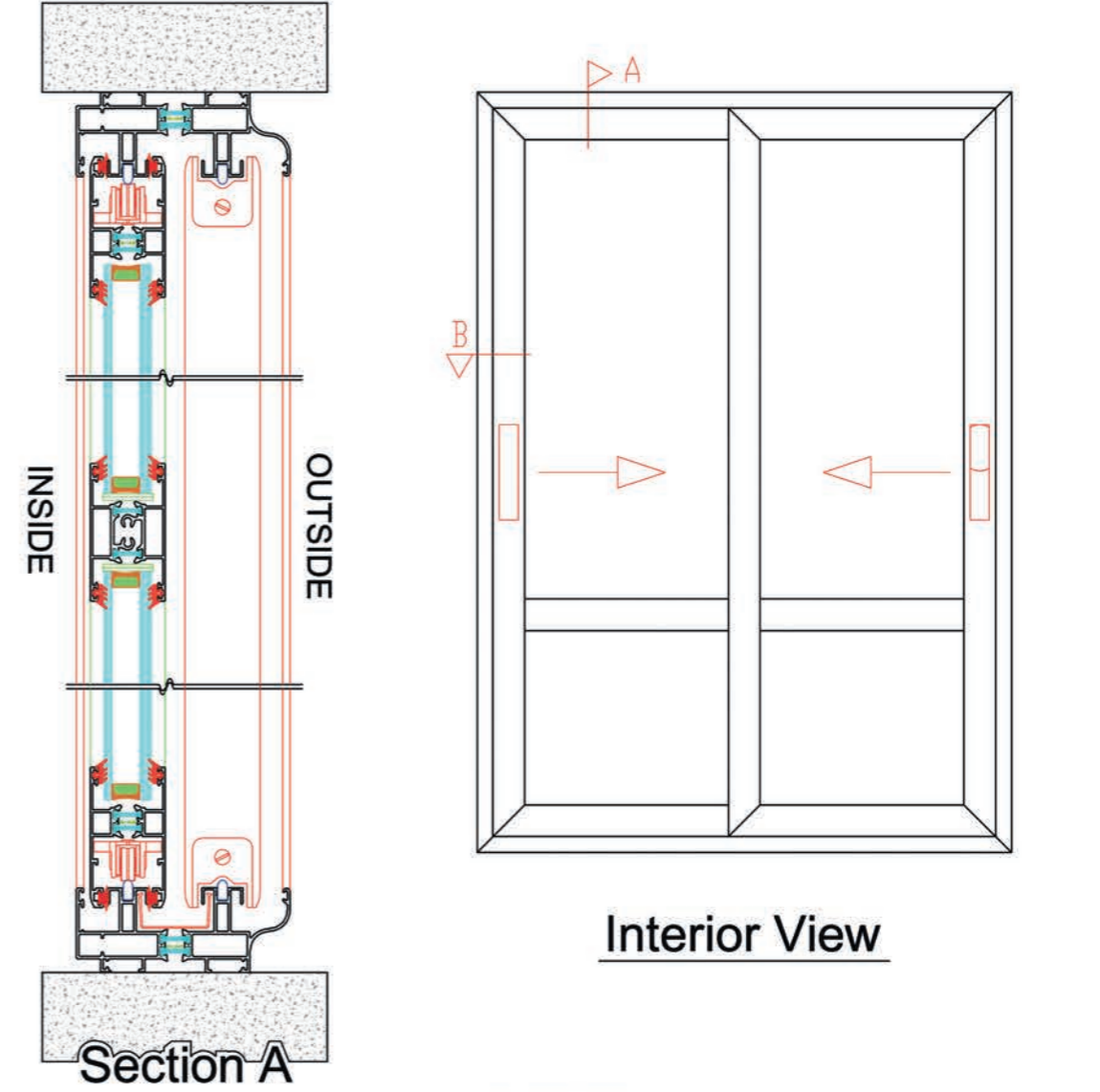
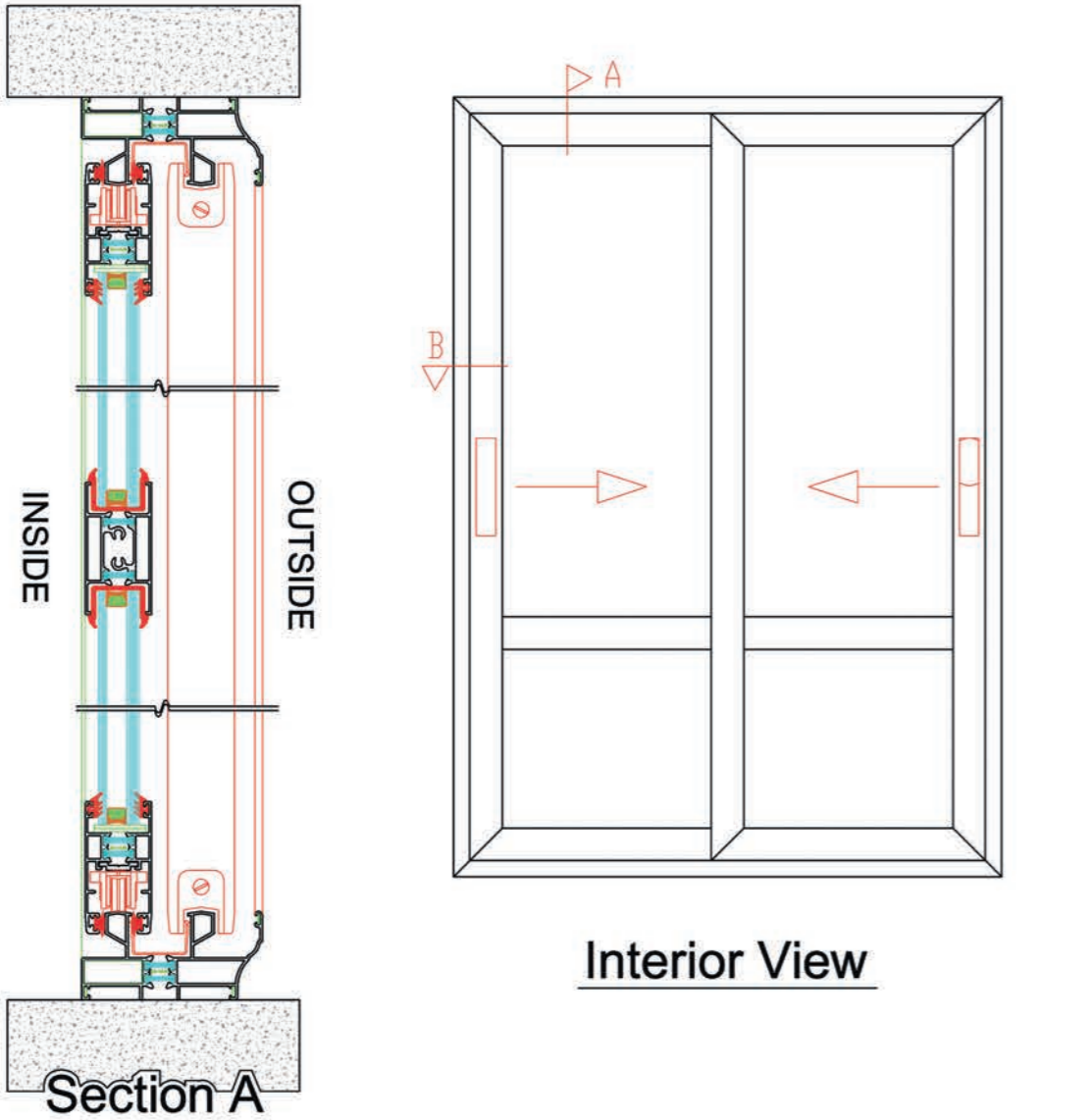


Weight: 1.086 kg/m T.684 T.689 Weight: 1.194 kg/m

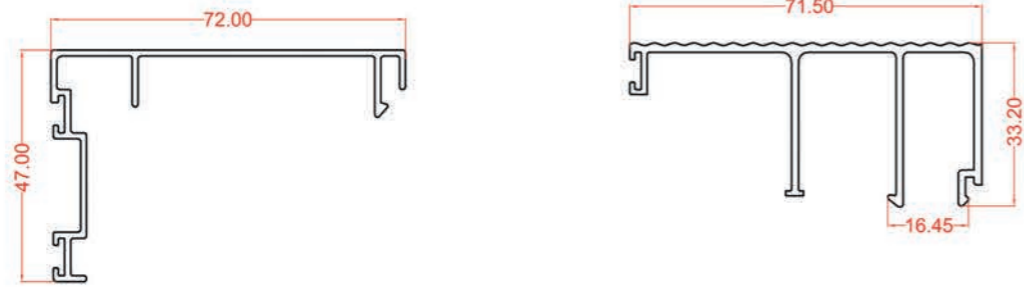
Systems with Thermal Break



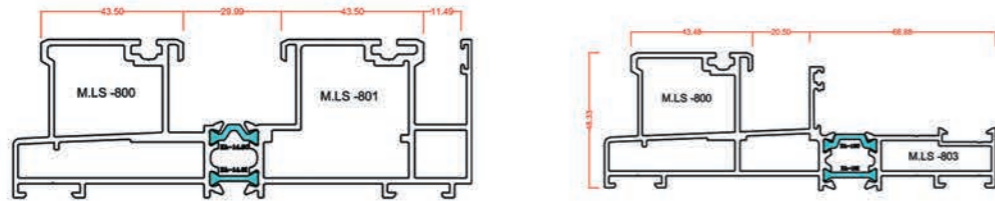
Systems with Thermal Break



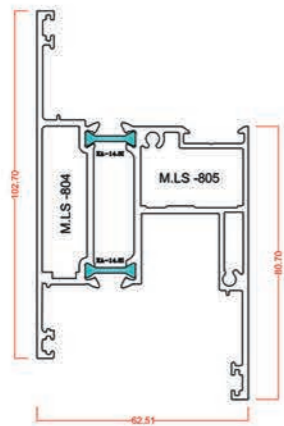
Systems with Thermal Break



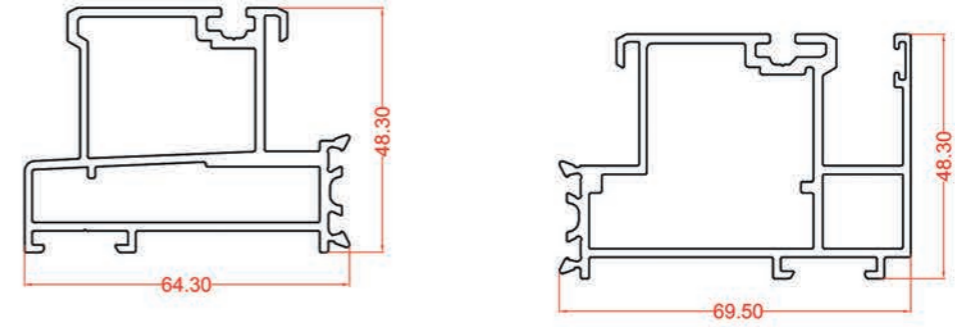
Weight: 0.475 kg/m M.LS-806 M.LS-807 Weight: 0.710 kg/m



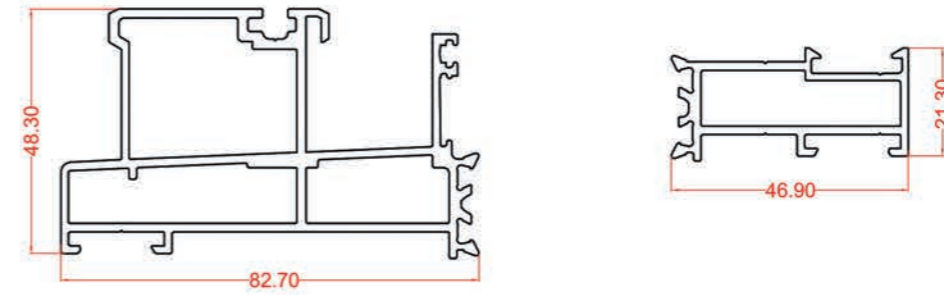
Weight: 2.549 kg/m T.810 T.811 Weight: 2.068 kg/m



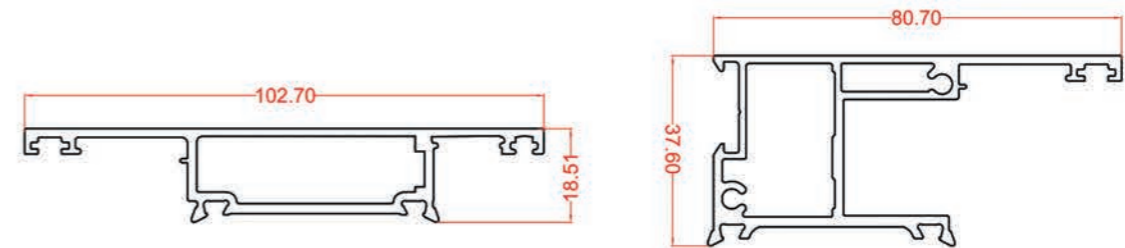
Weight: 2.173 kg/m T.812



Weight: 1.393 kg/m M.LS-800 M.LS-801 Weight: 1.450 kg/m



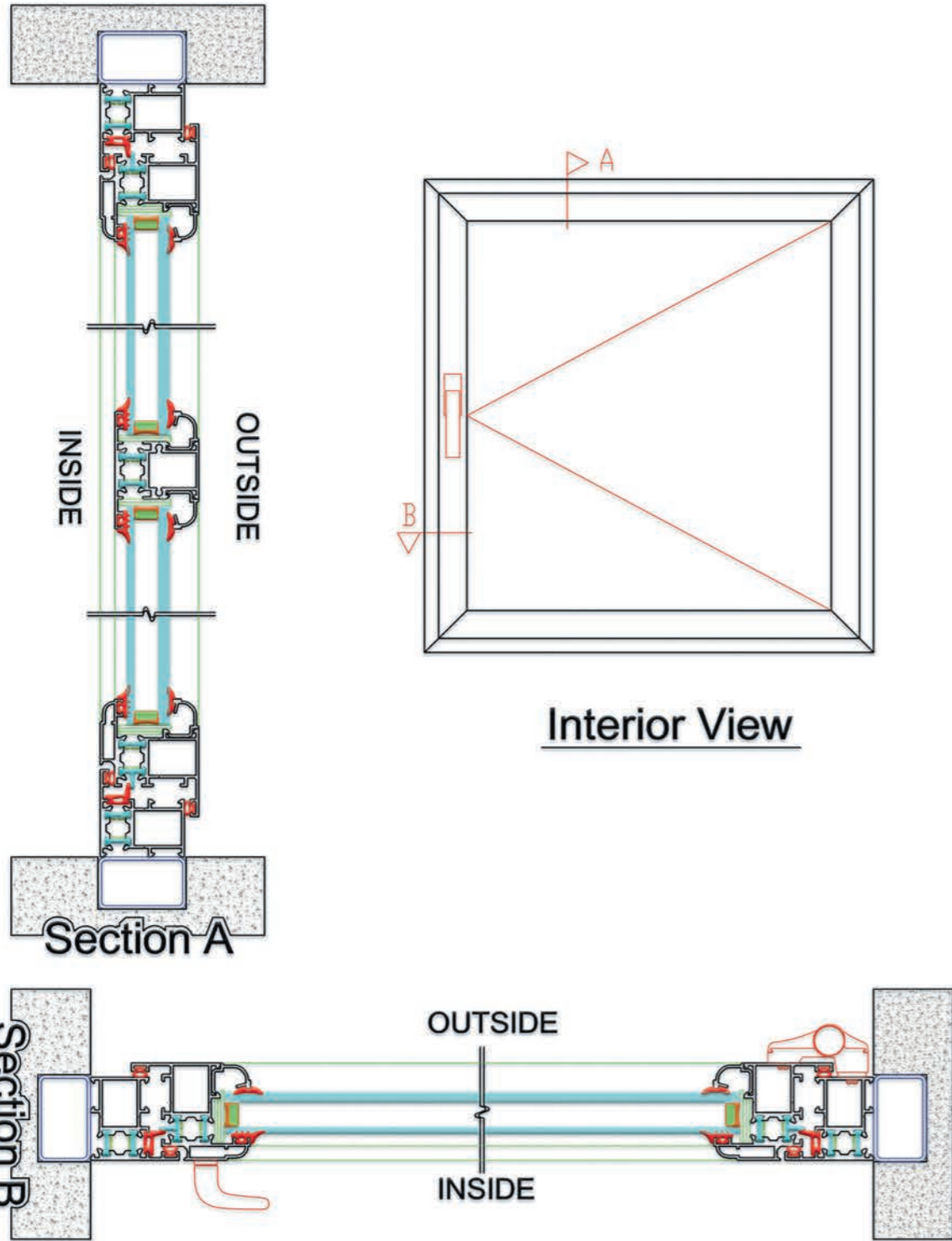
Weight: 1.791 kg/m M.LS-802 M.LS-803 Weight: 0.665 kg/m



Weight: 0.983 kg/m M.LS-804 M.LS-805 Weight: 1.190 kg/m

Systems with Thermal Break

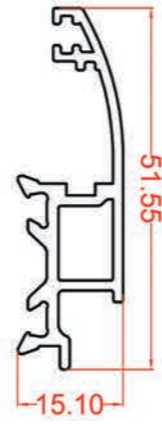
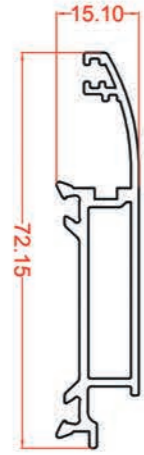
Systems with Thermal Break



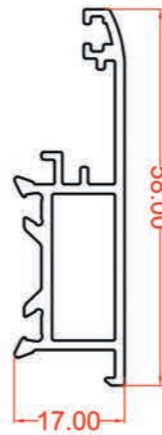
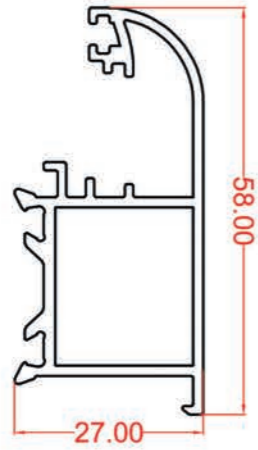
Systems with Thermal Break

Systems with Thermal Break

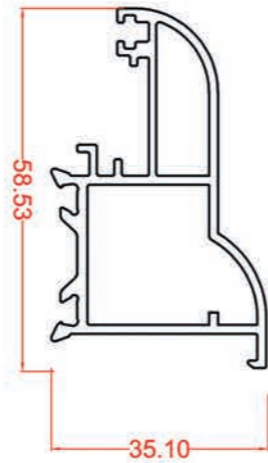
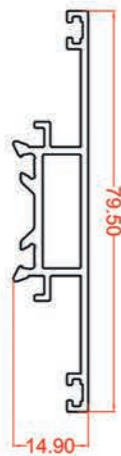




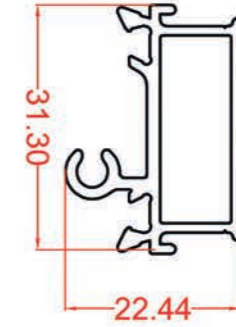
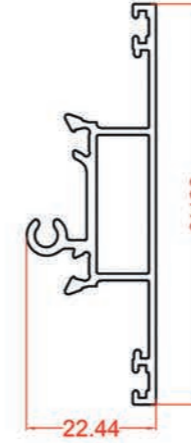
Weight: 0.625 kg/m M.Th 624 M.Th 625 Weight: 0.460 kg/m



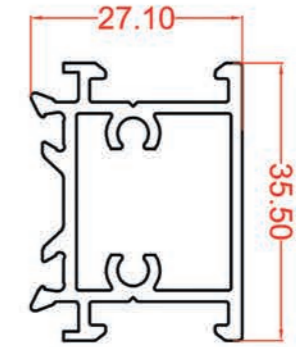
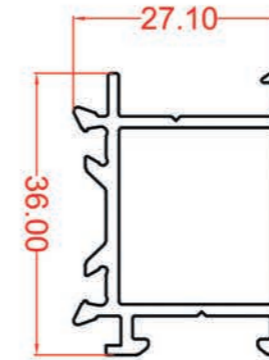
Weight: 0.693 kg/m M.Th 626 M.Th 627 Weight: 0.575 kg/m



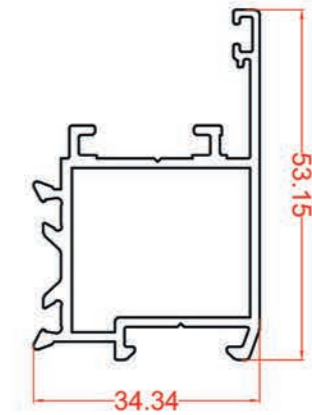
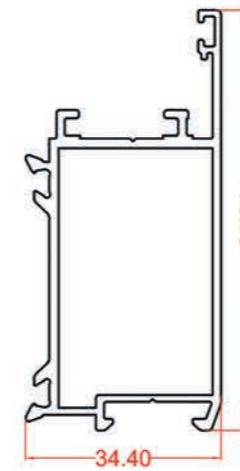
Weight: 0.620 kg/m M.Th 628 M.Th 629 Weight: 0.805 kg/m



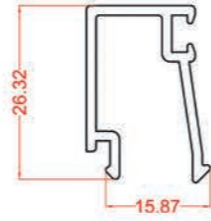
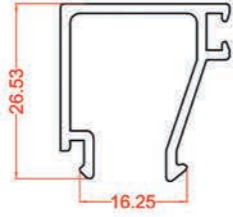
Weight: 0.571 kg/m M.Th 617 M.Th 618 Weight: 0.408 kg/m



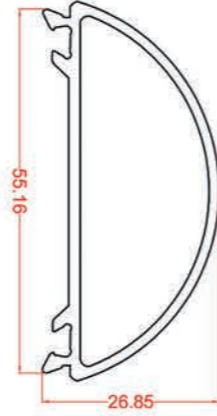
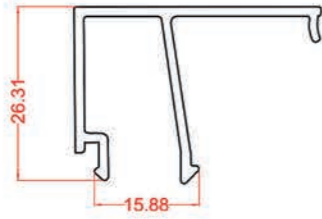
Weight: 0.550 kg/m M.Th 620 M.Th 621 Weight: 0.635 kg/m



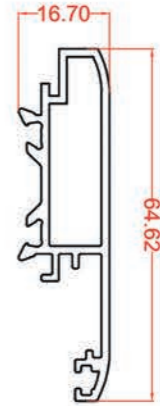
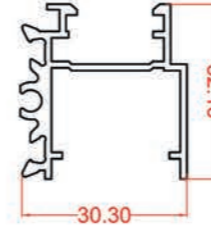
Weight: 0.890 kg/m M.Th 622 M.Th 623 Weight: 0.746 kg/m



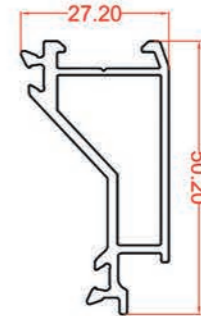
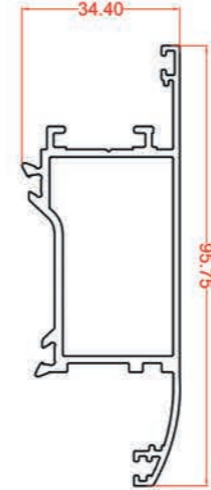
Weight: 0.358 kg/m | M.Th 638 | M.Th 239 | Weight: 0.308 kg/m



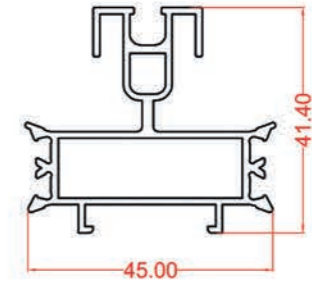
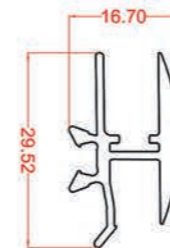
Weight: 0.366kg/m | M.Th 640 | M.Th 650 | Weight: 0.775 kg/m



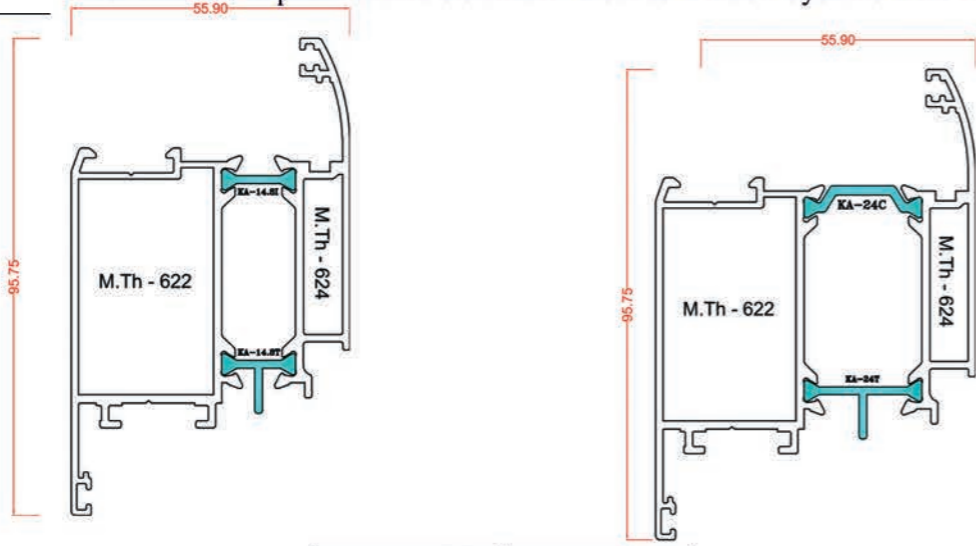
Weight: 0.465 kg/m | M.Th 630 | M.Th 631 | Weight: 0.613 kg/m



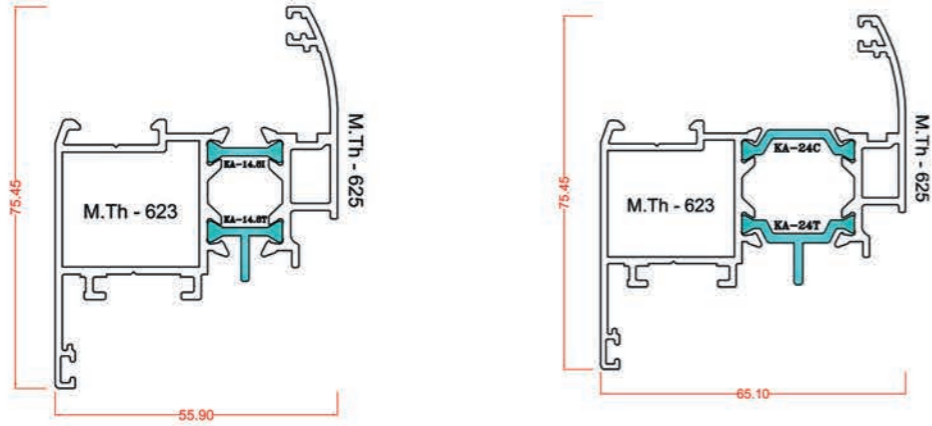
Weight: 1.035 kg/m | M.Th 632 | M.Th 633 | Weight: 0.596 kg/m



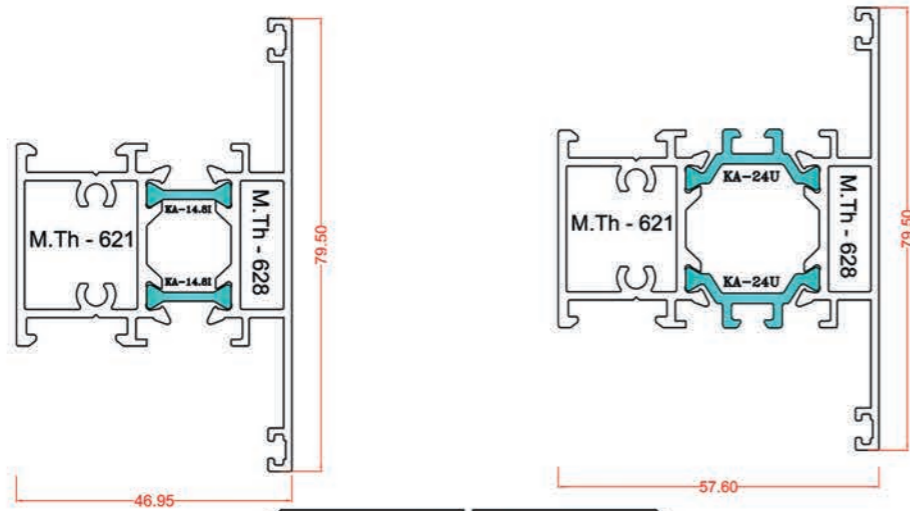
Weight: 0.350 kg/m | M.Th 636 | M.Th 635 | Weight: 0.683 kg/m



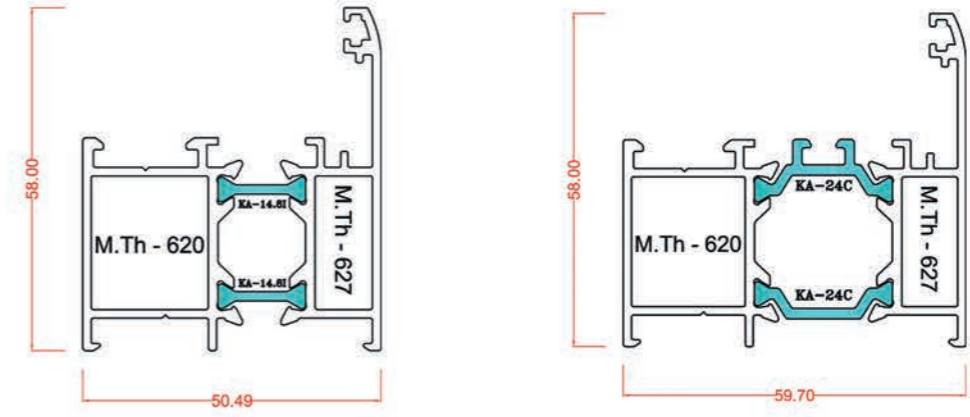
Weight: 1.515 kg/m T.704A T.704B Weight: 1.515 kg/m



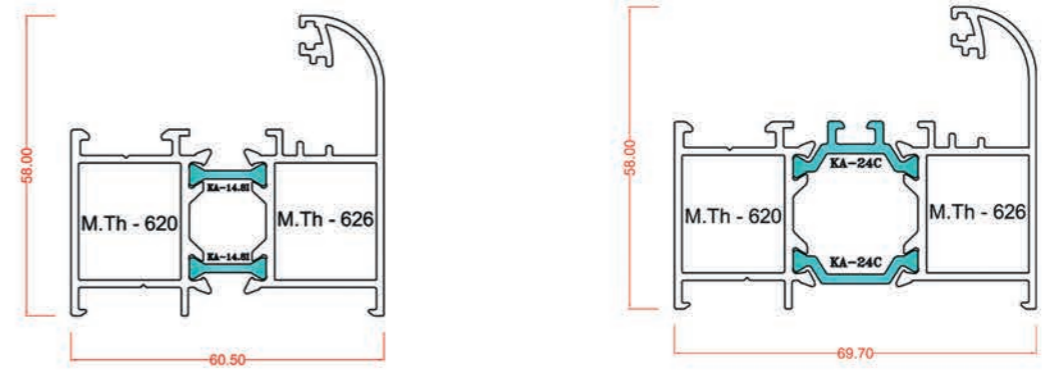
Weight: 1.206 kg/m T.705A T.705B Weight: 1.206 kg/m



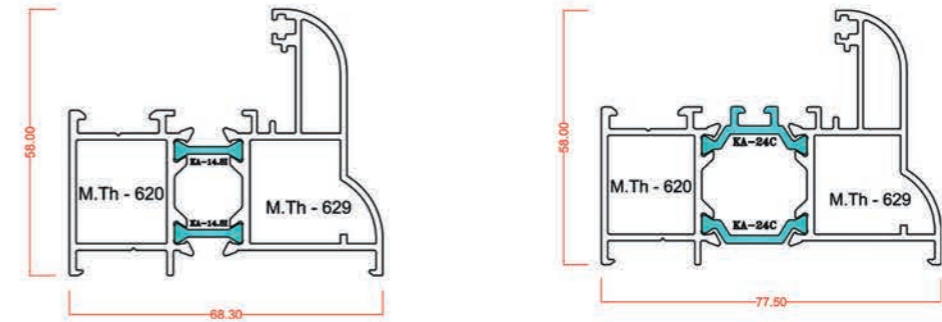
Weight: 1.255 kg/m T.706A T.706B Weight: 1.255 kg/m



Weight: 1.125 kg/m T.701A T.701B Weight: 1.125 kg/m



Weight: 1.243 kg/m T.702A T.702B Weight: 1.243 kg/m



Weight: 1.058 kg/m T.703A T.703B Weight: 1.058 kg/m

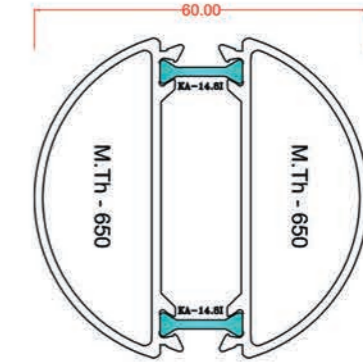
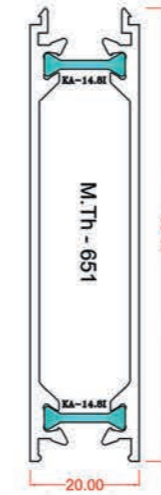
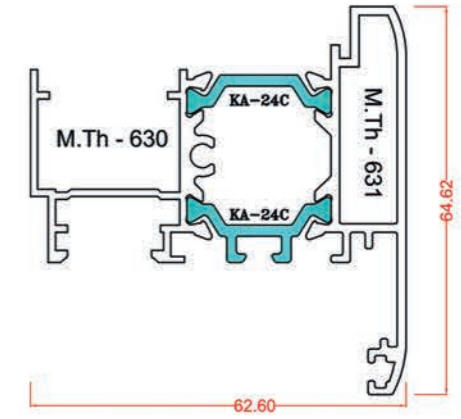
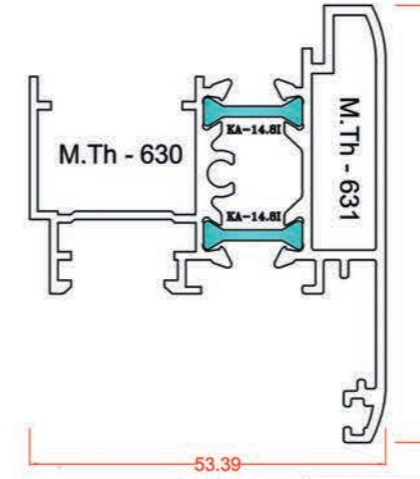
Systems with Thermal Break

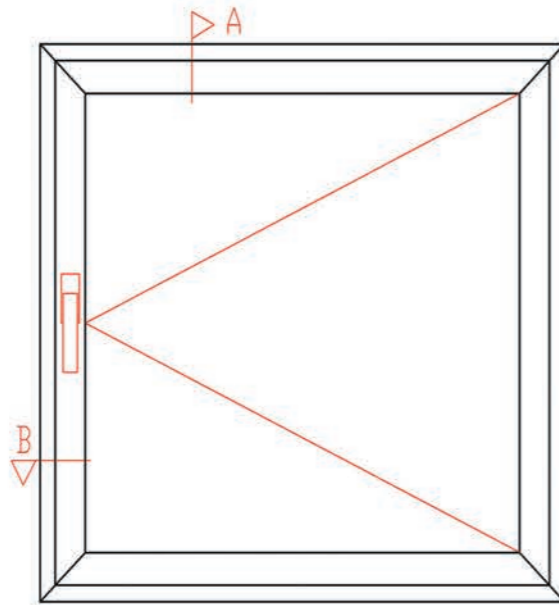
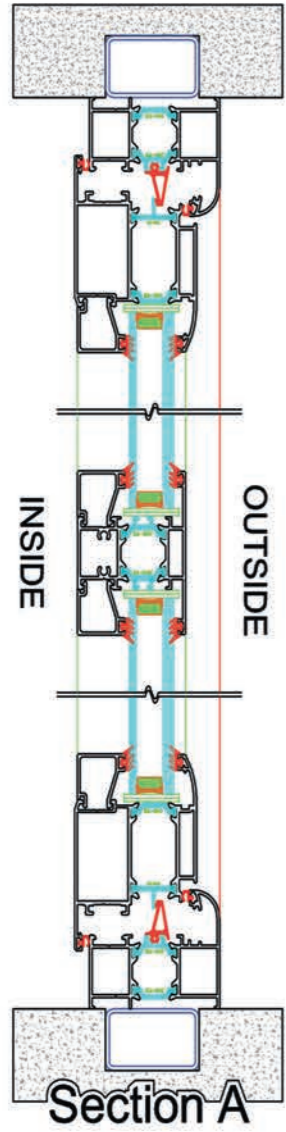
Systems with Thermal Break



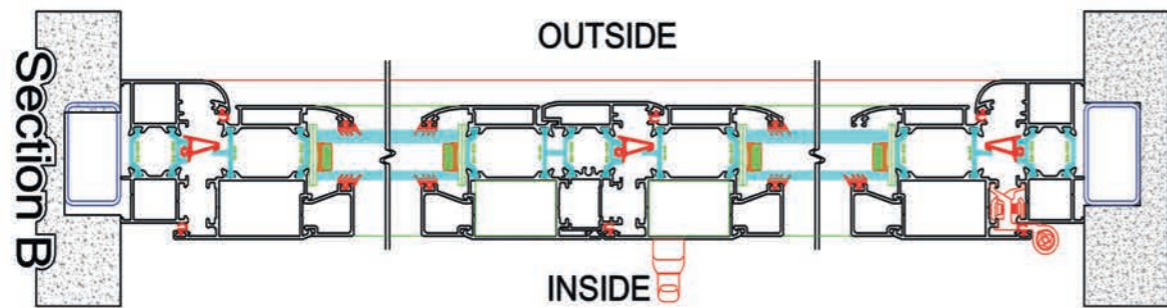
Systems with Thermal Break

Systems with Thermal Break

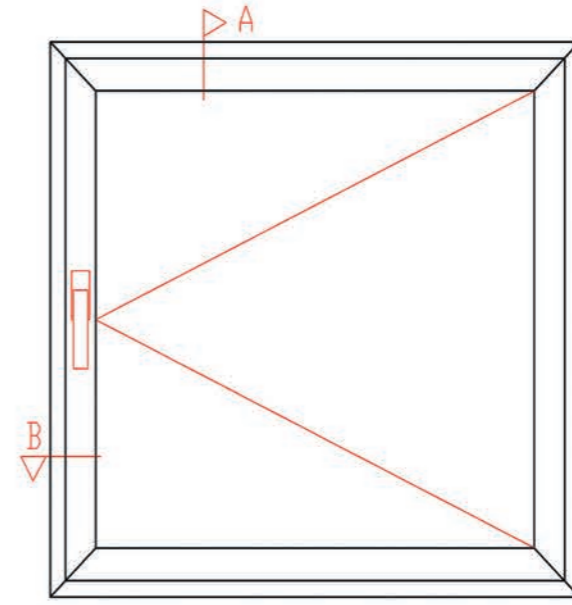
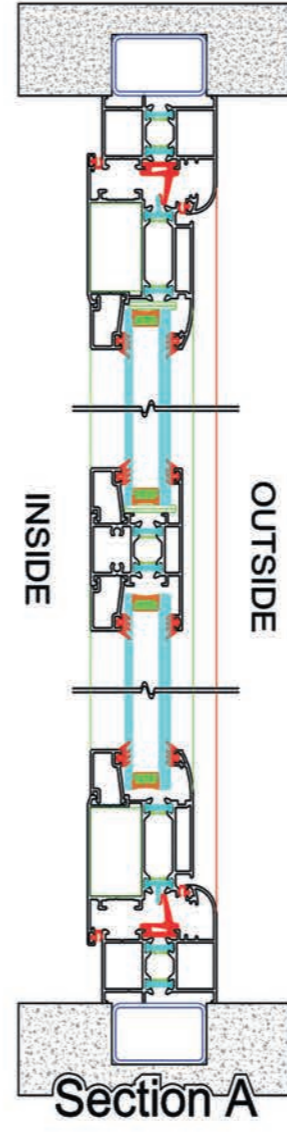




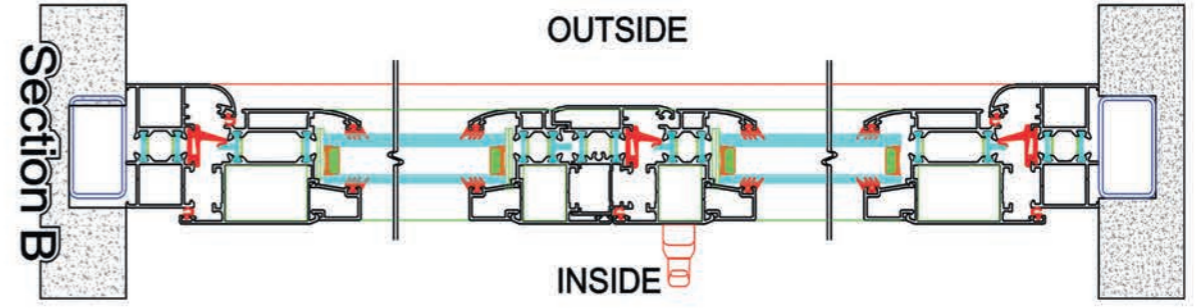
Interior View



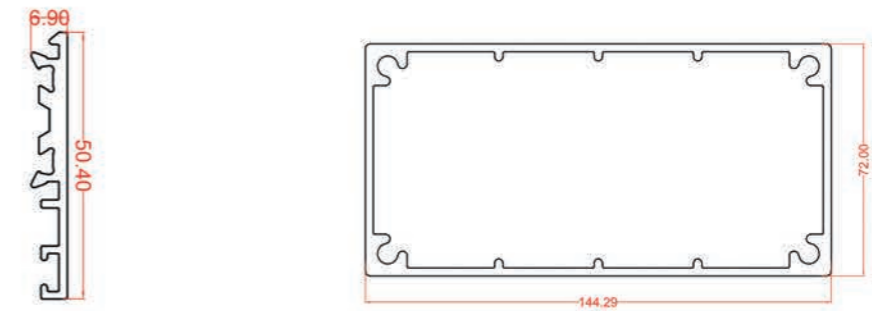
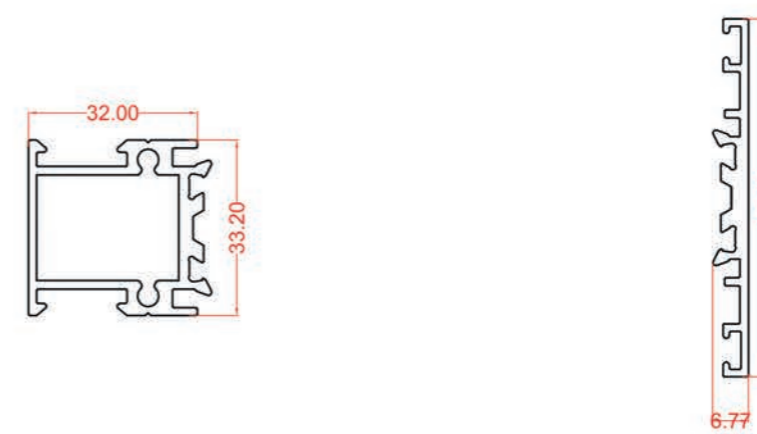
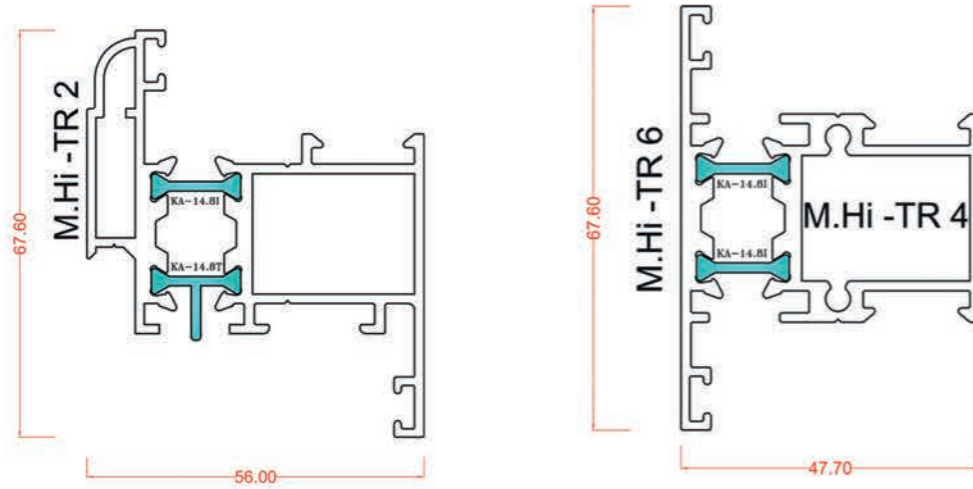
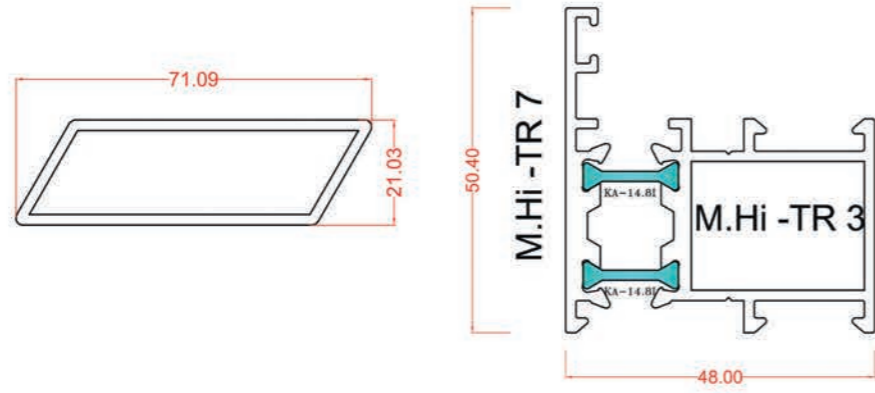
Systems with Thermal Break

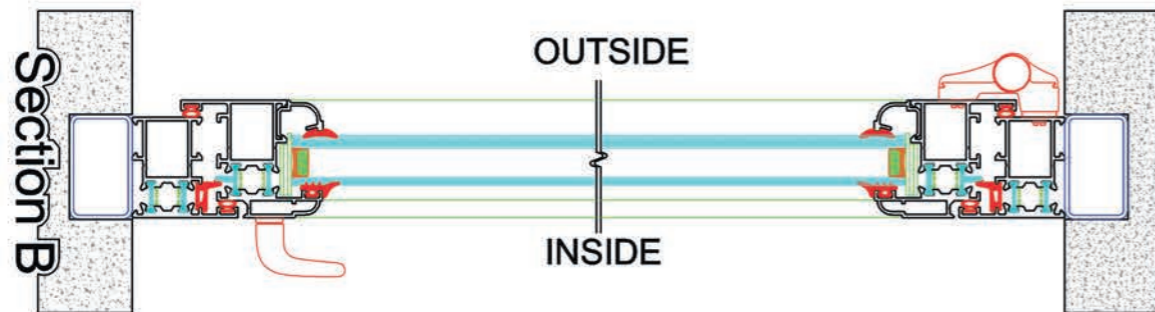
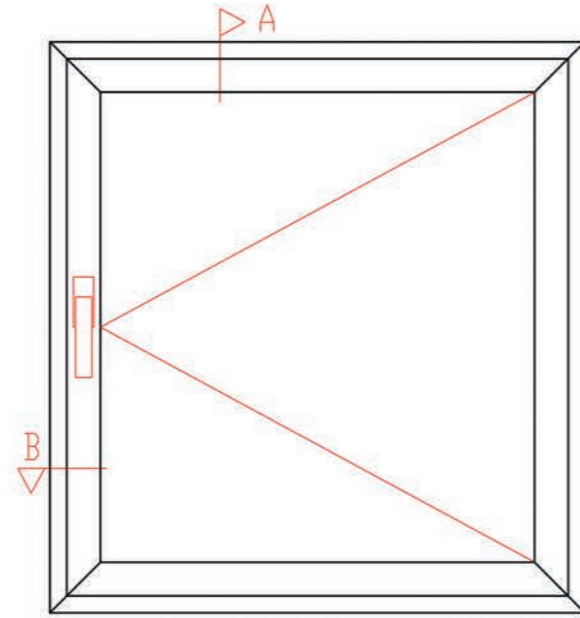
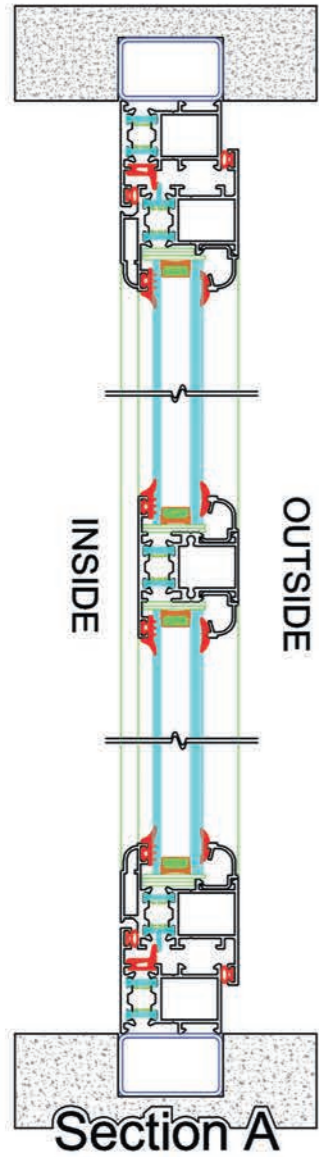


Interior View



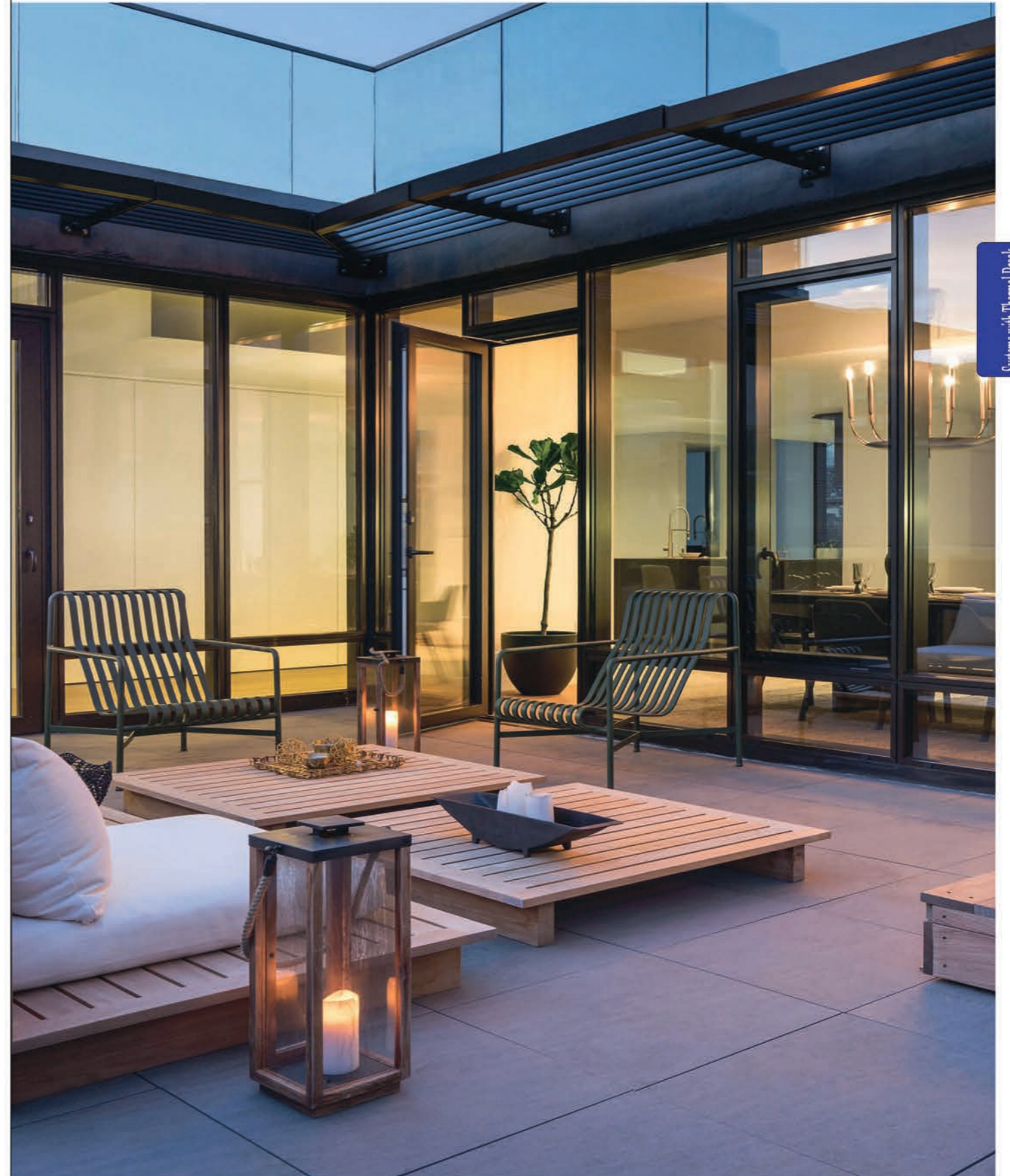
Systems with Thermal Break

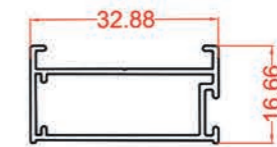
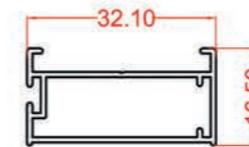
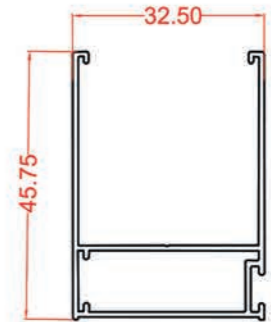
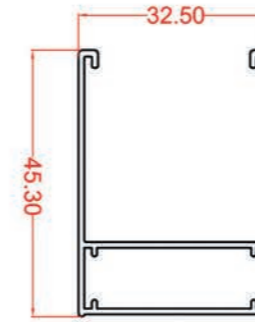
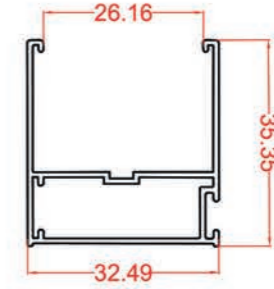
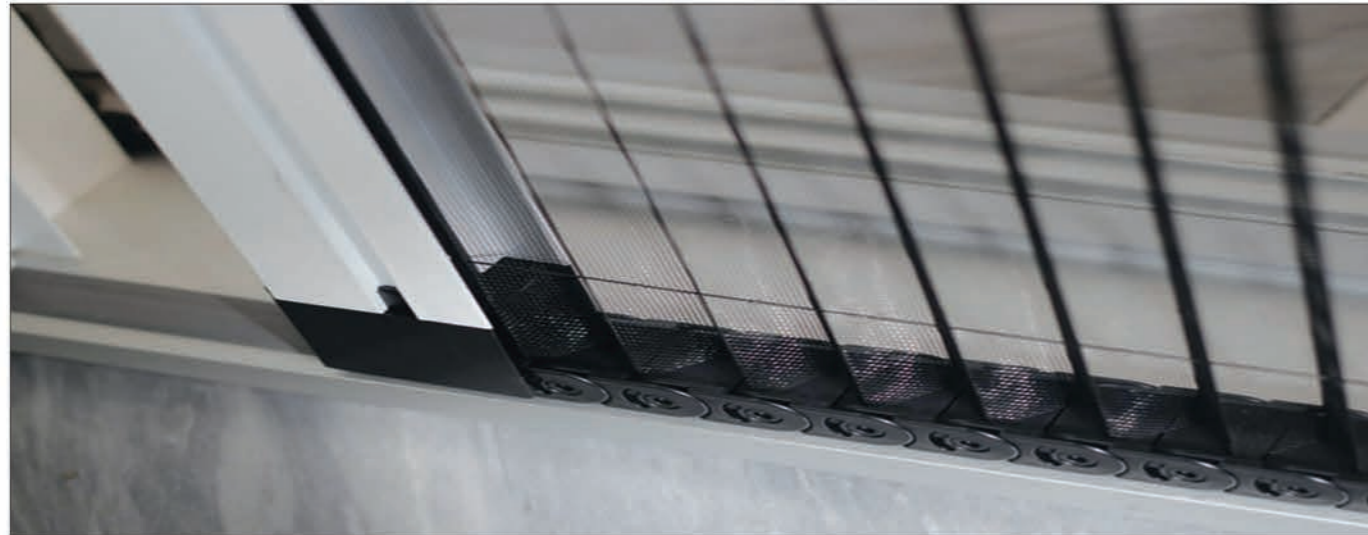
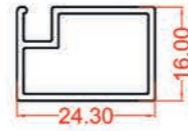
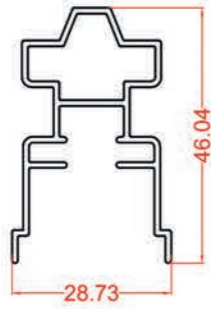
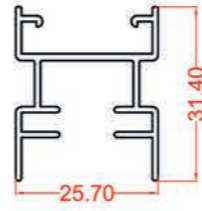
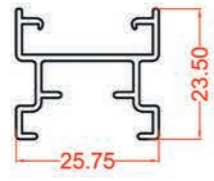




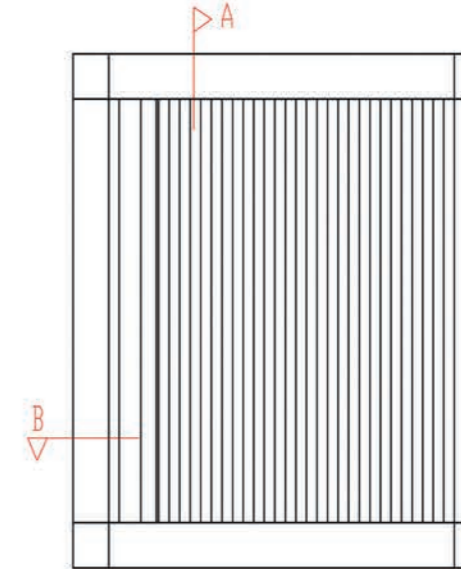
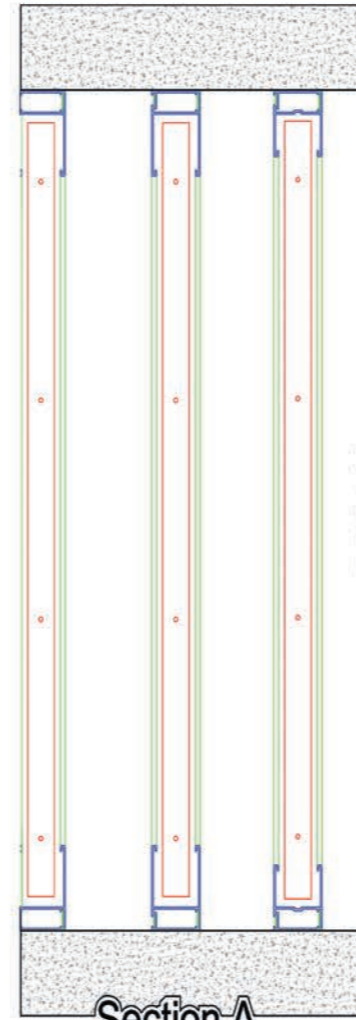
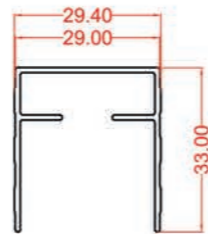
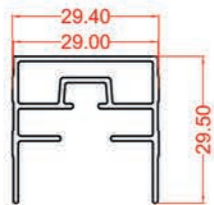
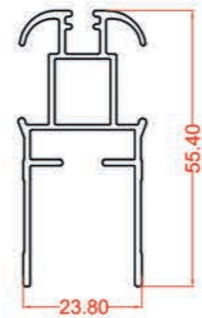
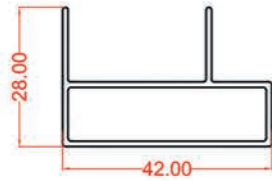
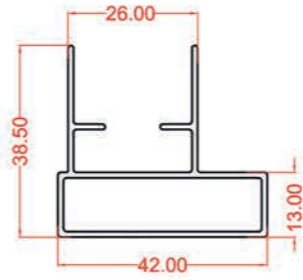
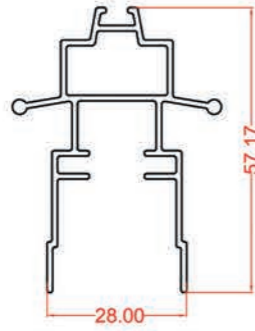
Systems with Thermal Break

Systems with Thermal Break

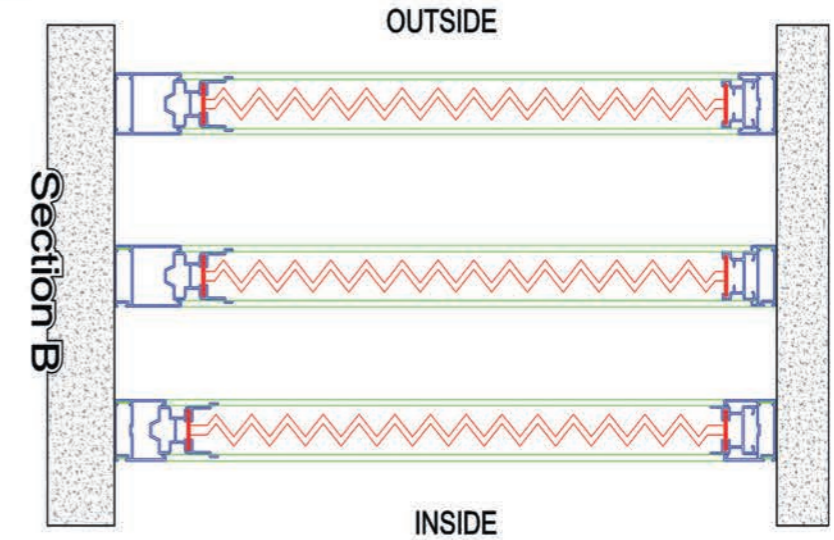




Magnetic Blinds



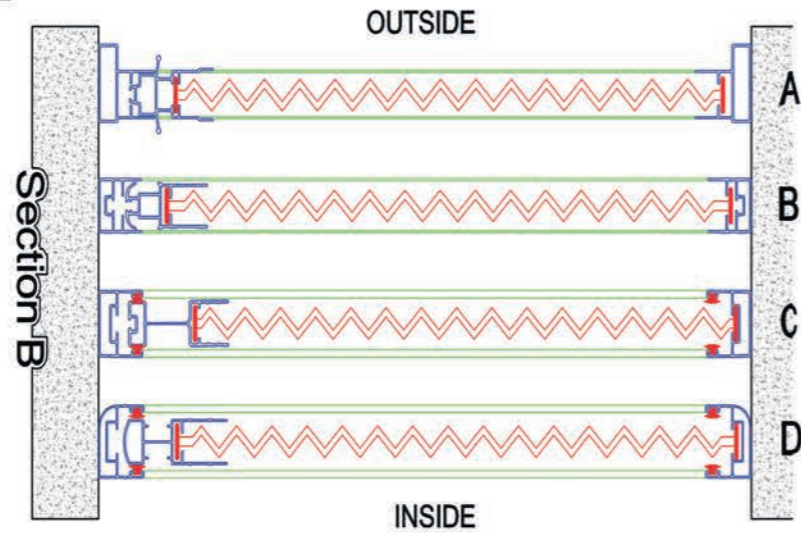
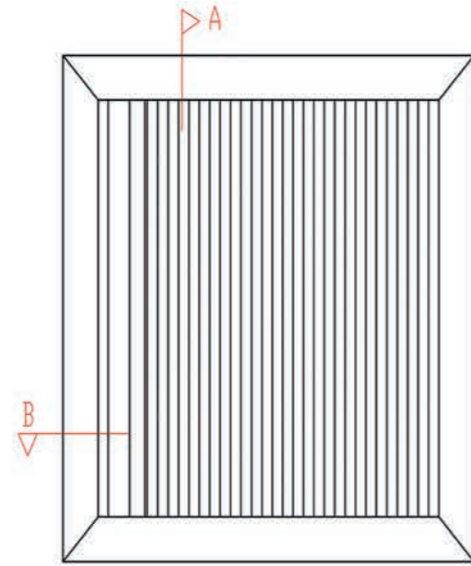
Exterior View



Magnetic Blinds



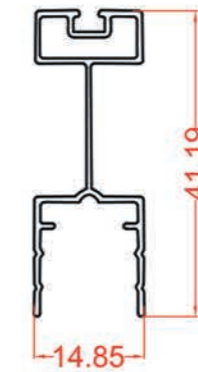
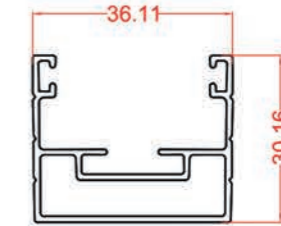
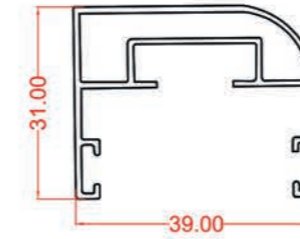
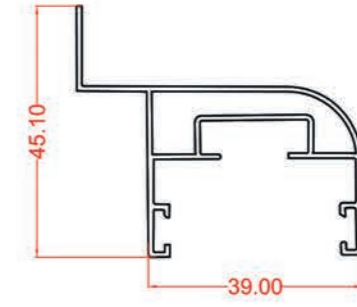
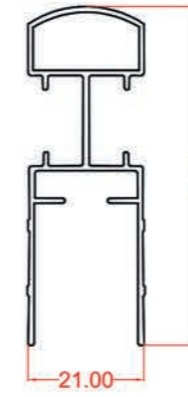
OUTSIDE



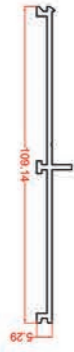
OUTSIDE

INSIDE

Magnetic Blinds



Magnetic Blinds

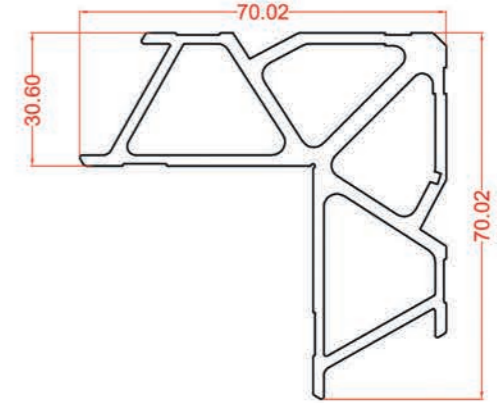
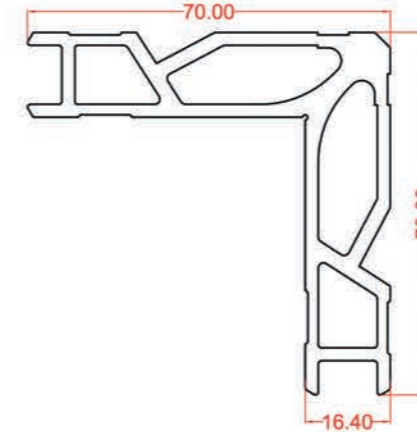


Weight: 0.611 kg/m

M.CC - 323

M.CC - 322

Weight: 0.704 kg/m

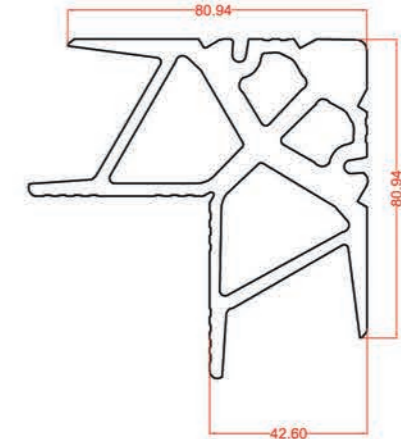
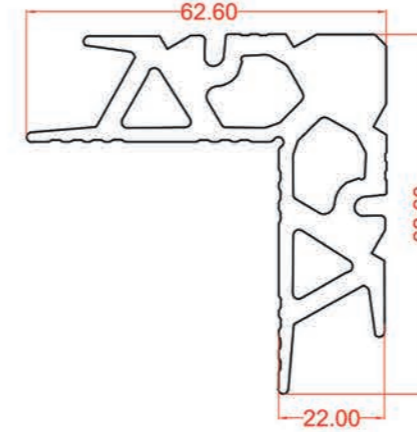


Weight: 2.165 kg/m

M.Ac - 195

M.Ac - 196

Weight: 2.800 kg/m

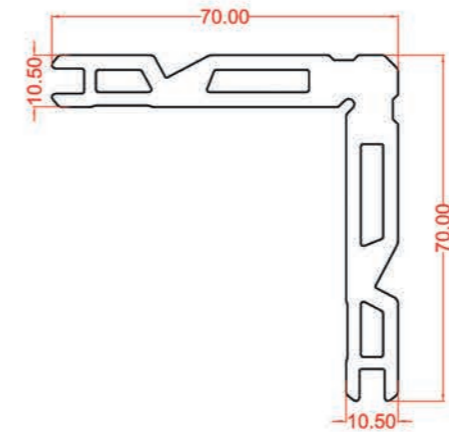


Weight: 3.685 kg/m

M.Ac - 197

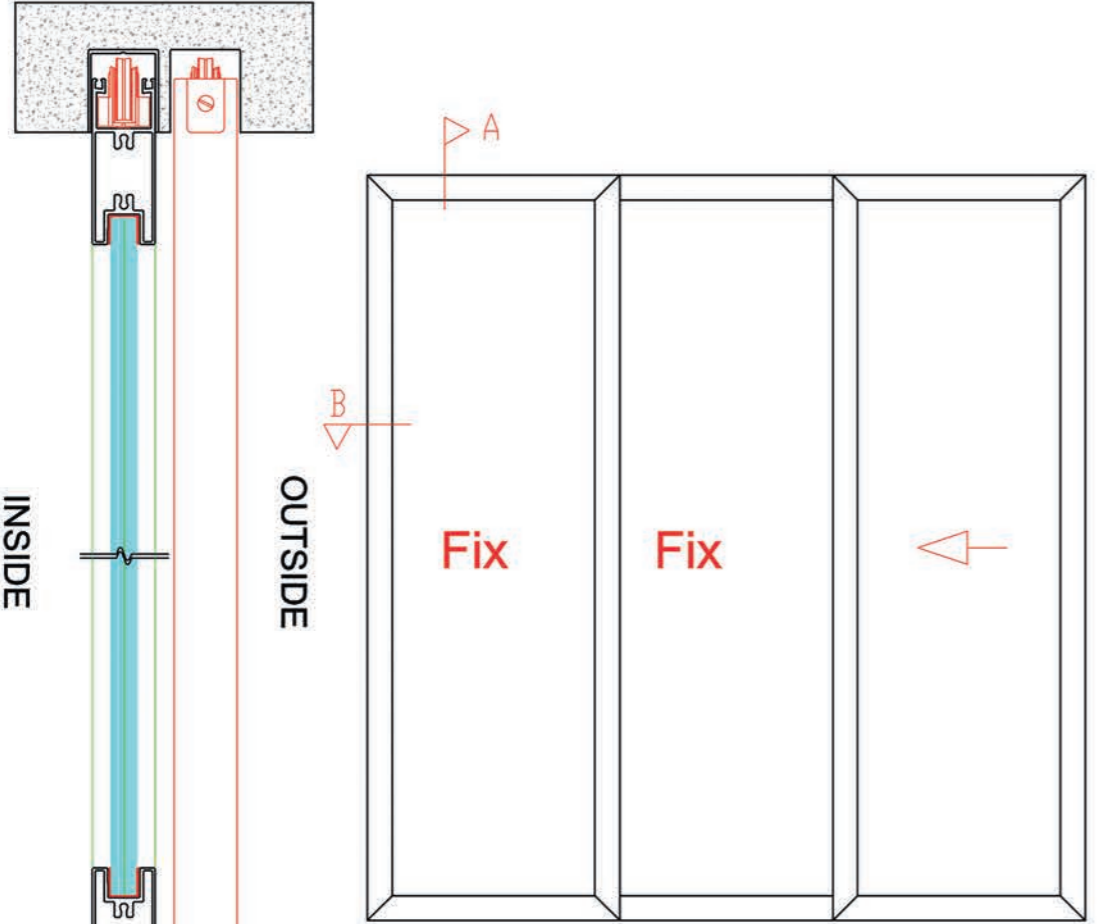
M.Ac - 198

Weight: 5.216 kg/m

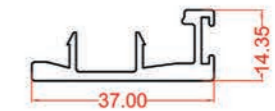
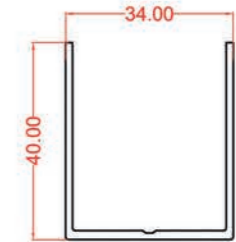
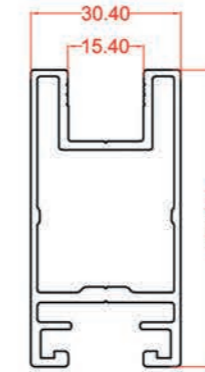
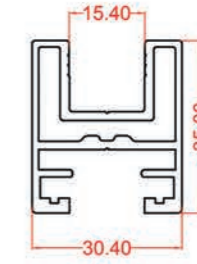
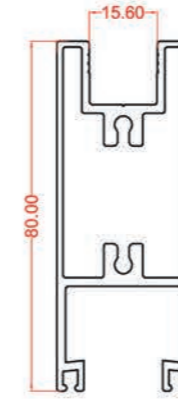
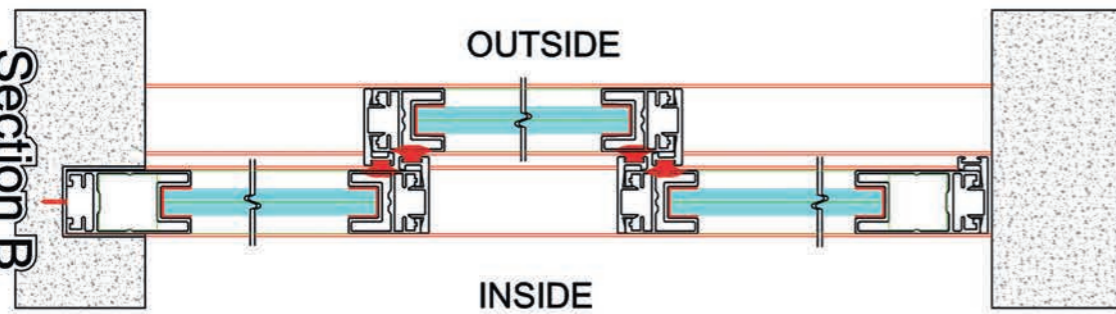


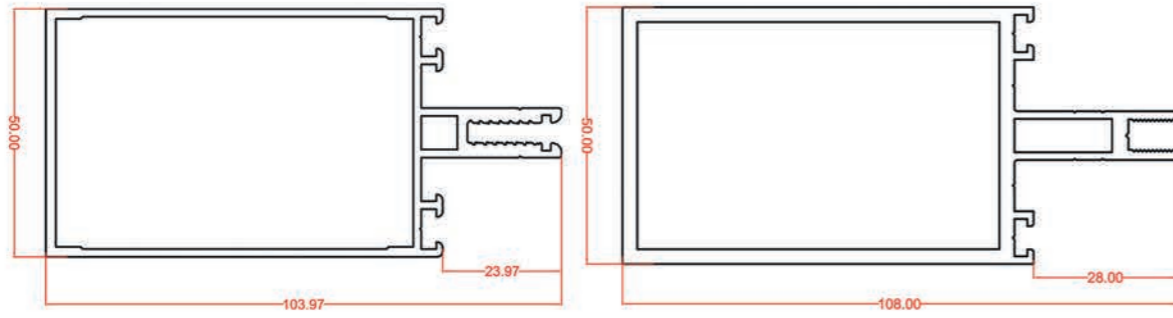
Weight: 2.483 kg/m

M.Ac - 199

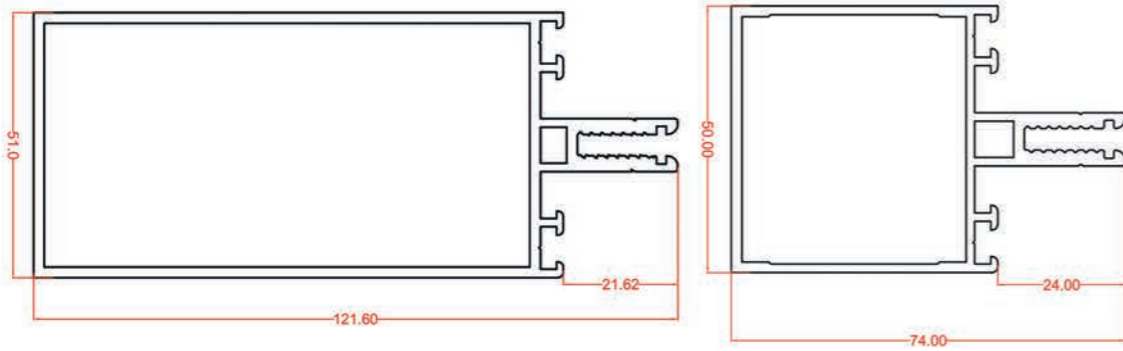


Interior View

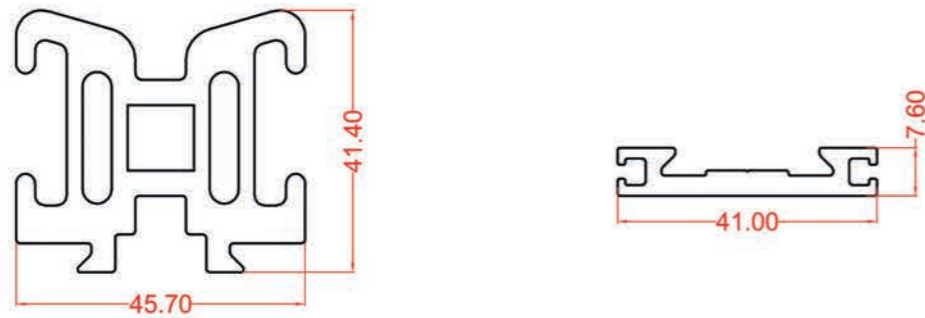




Weight: 1.776 kg/m M.Cu1- 1112 M.Cu1- 1131 Weight: 2.245 kg/m

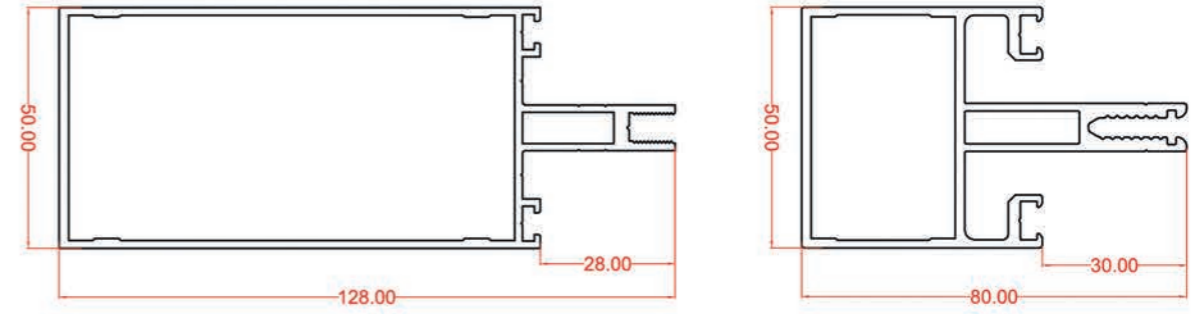


Weight: 2.133 kg/m M.Cu1- 1121 M.Cu1- 1122 Weight: 1.410 kg/m

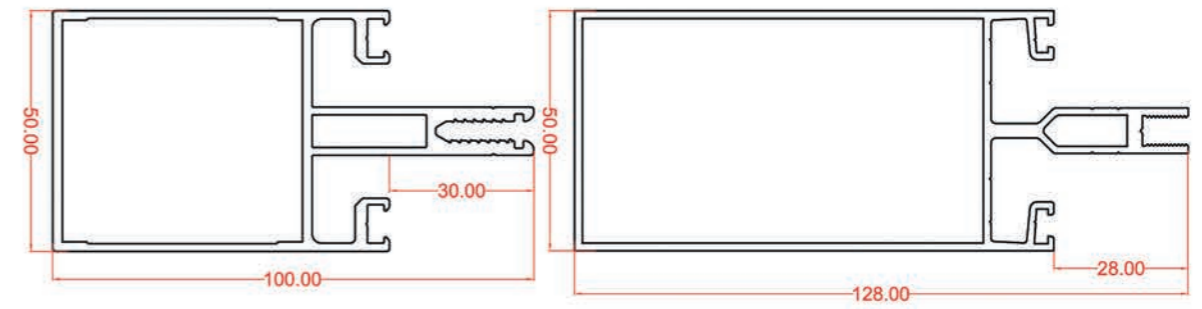


Weight: 2.225 kg/m M.Cu1v- 1170 M.Cu1- 1171 Weight: 0.483 kg/m

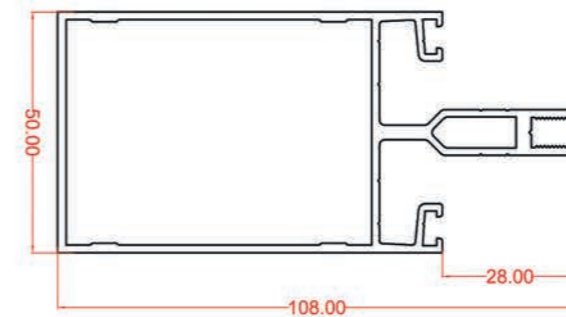
Facade Systems



Weight: 1.695 kg/m M.Cu1- 1130 M.Cu1- 1101 Weight: 1.675 kg/m

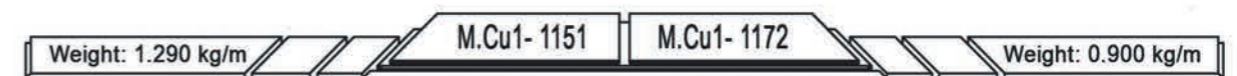
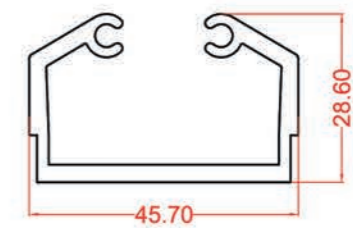
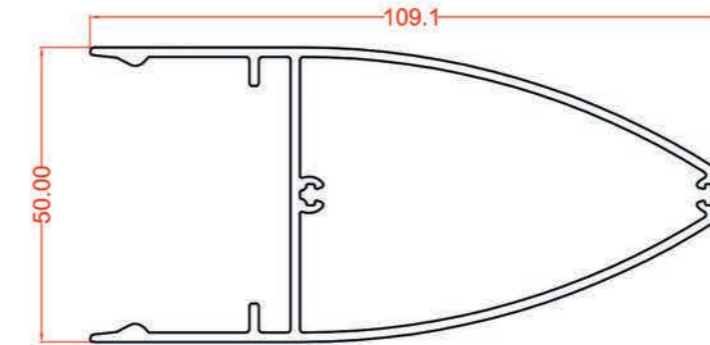
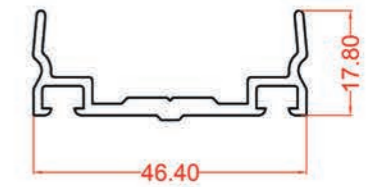
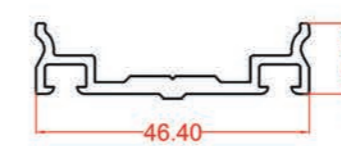
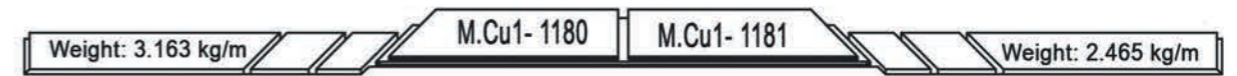
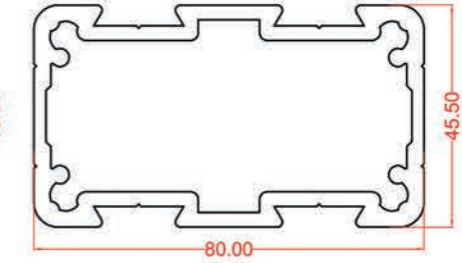
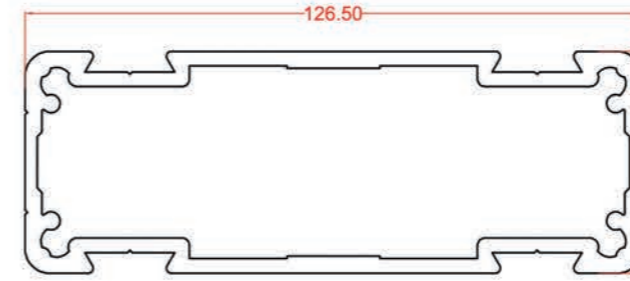
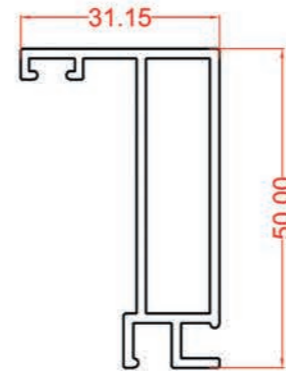
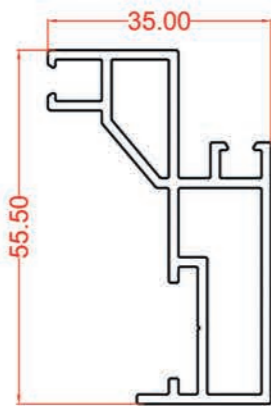
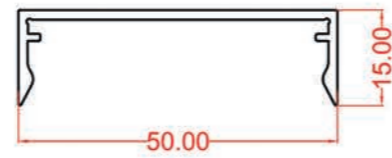
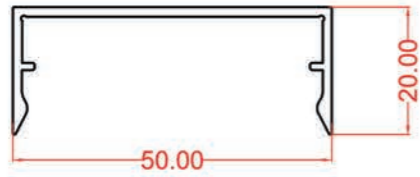
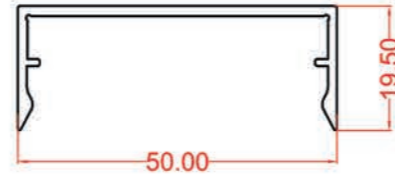
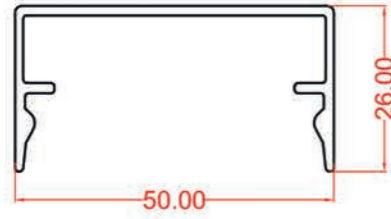


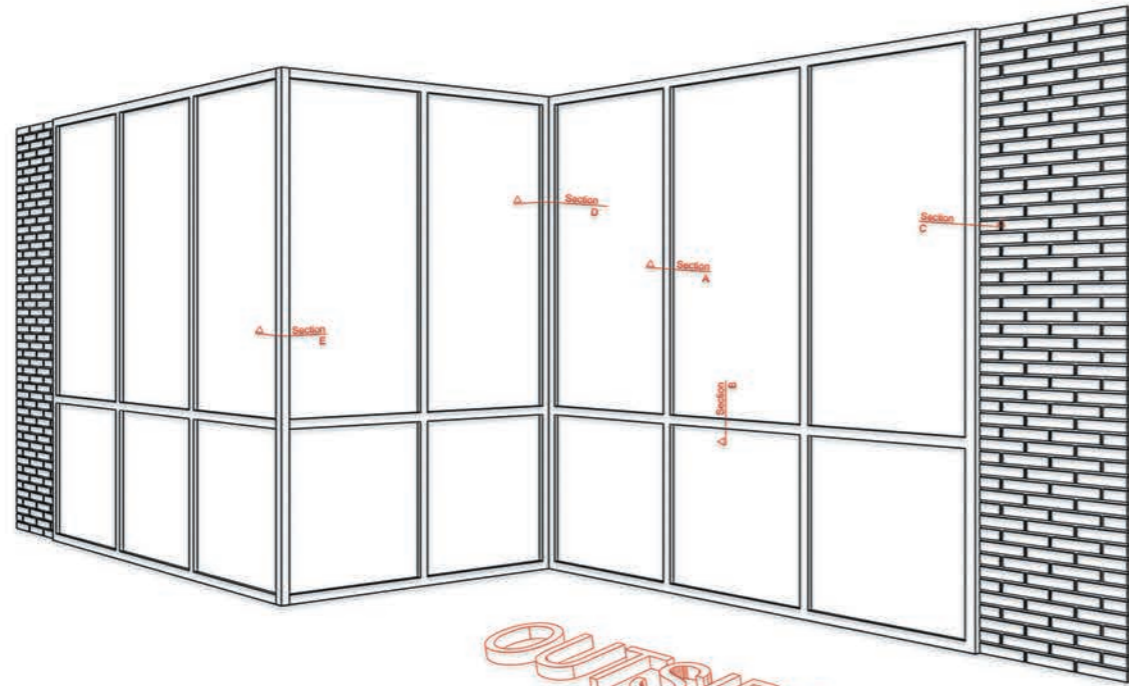
Weight: 2.266 kg/m M.Cu1- 1102 M.Cu1- 1132 Weight: 2.016 kg/m



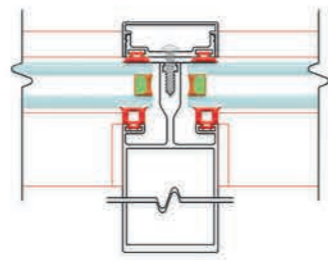
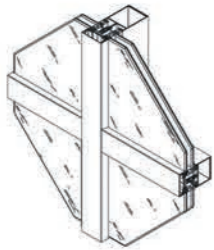
Weight: 1.683 kg/m M.Cu1- 1133

Facade Systems

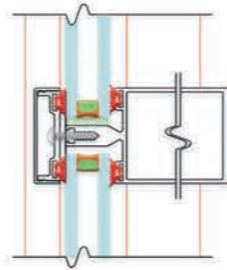




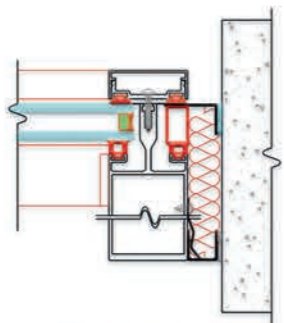
OUTSIDE



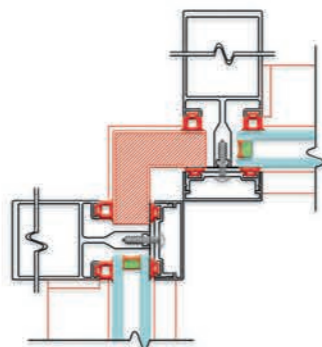
Section A



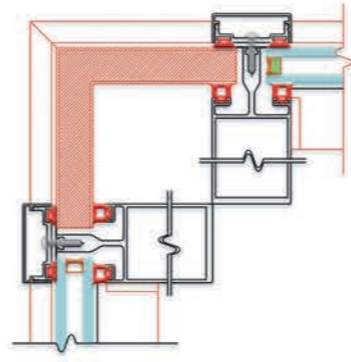
Section B



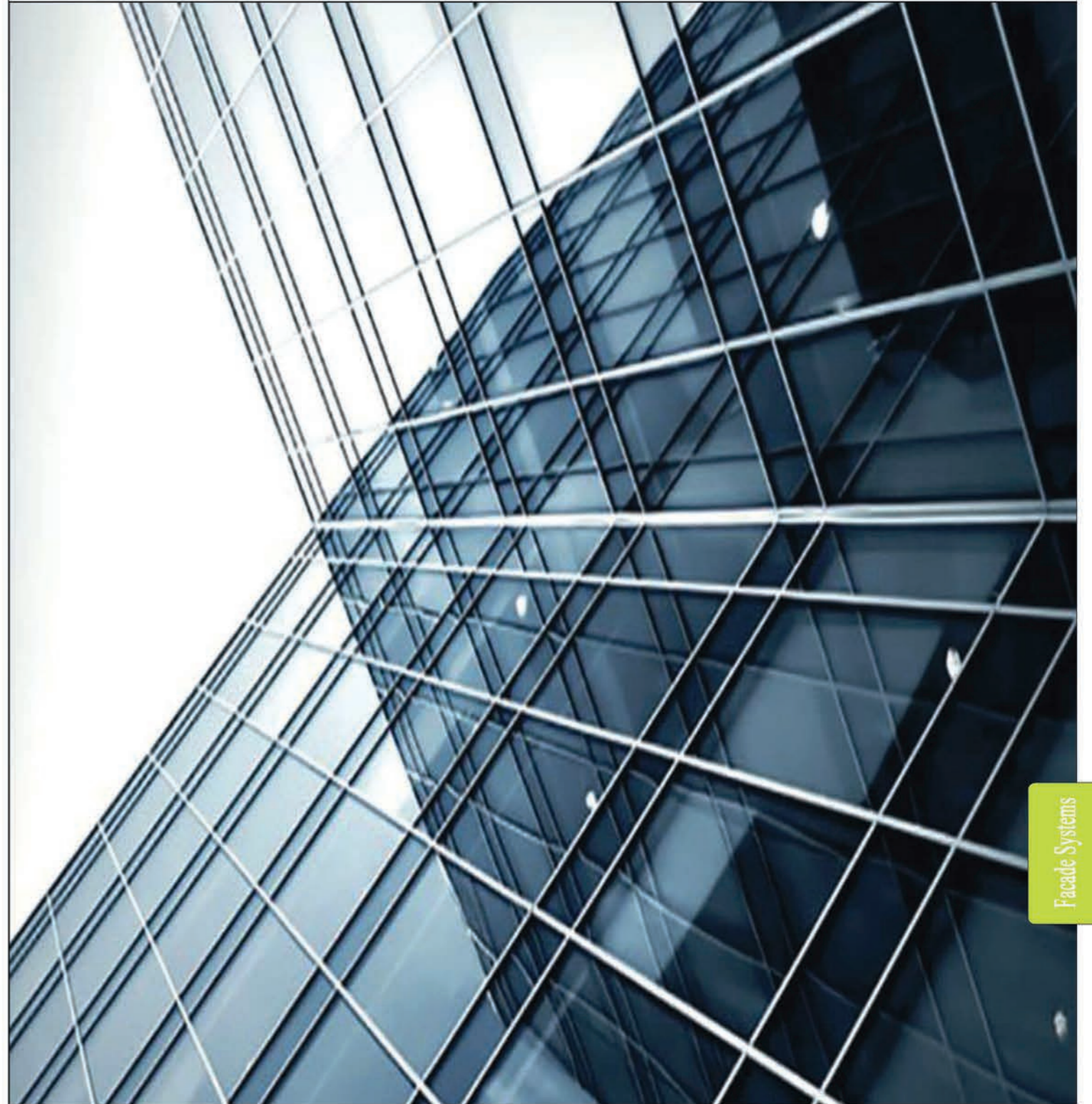
Section C

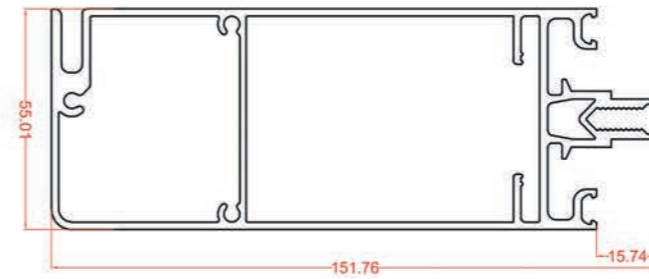
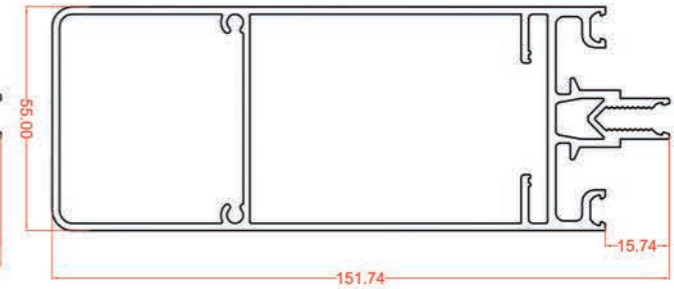
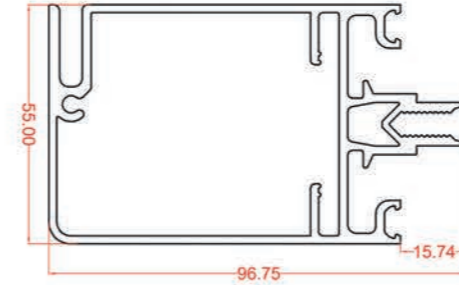
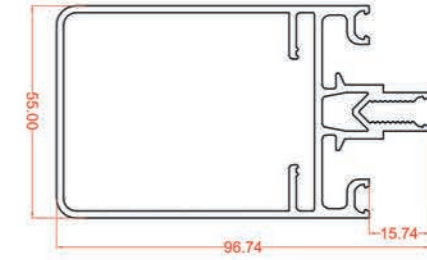
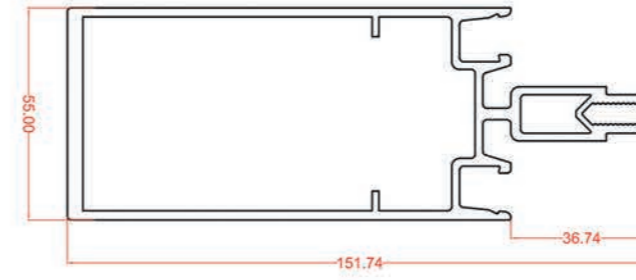
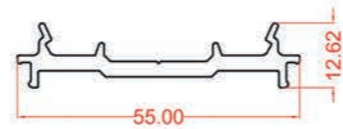
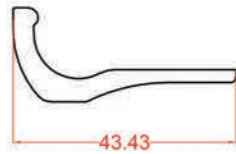
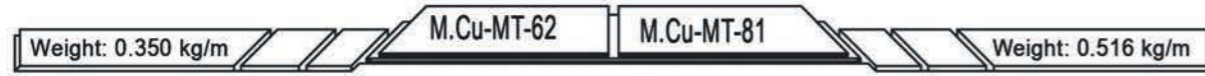
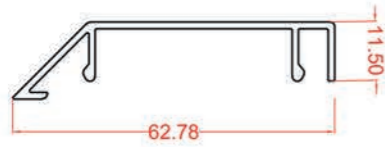
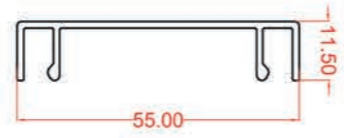


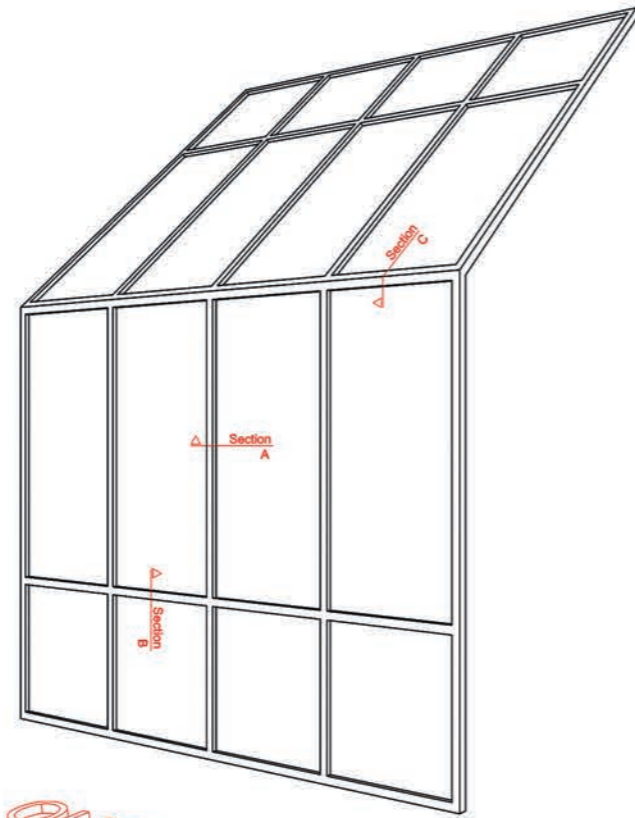
Section D



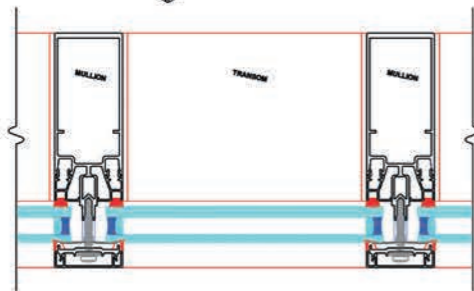
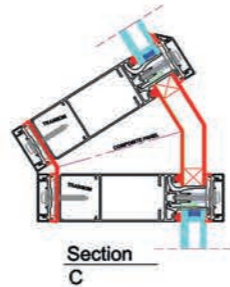
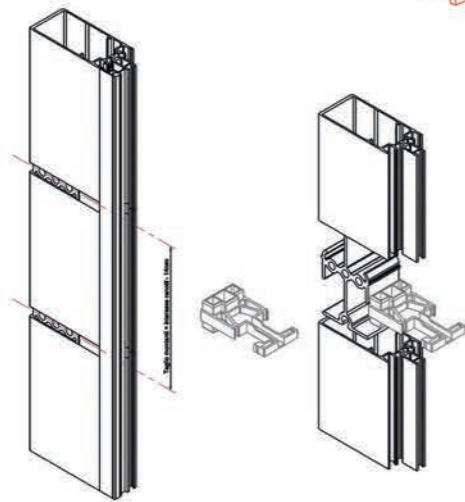
Section E



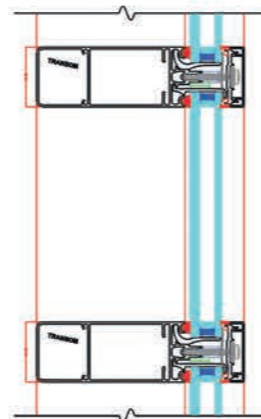




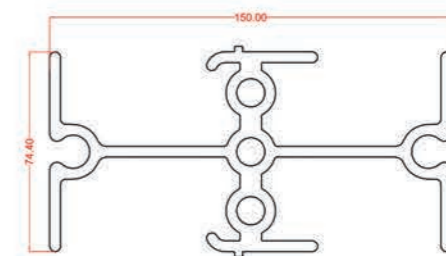
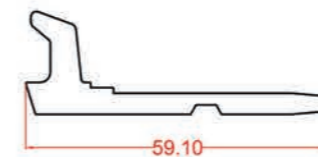
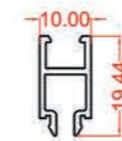
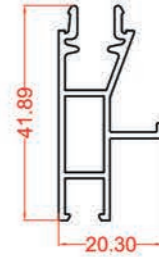
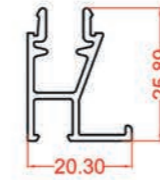
OUTSIDE

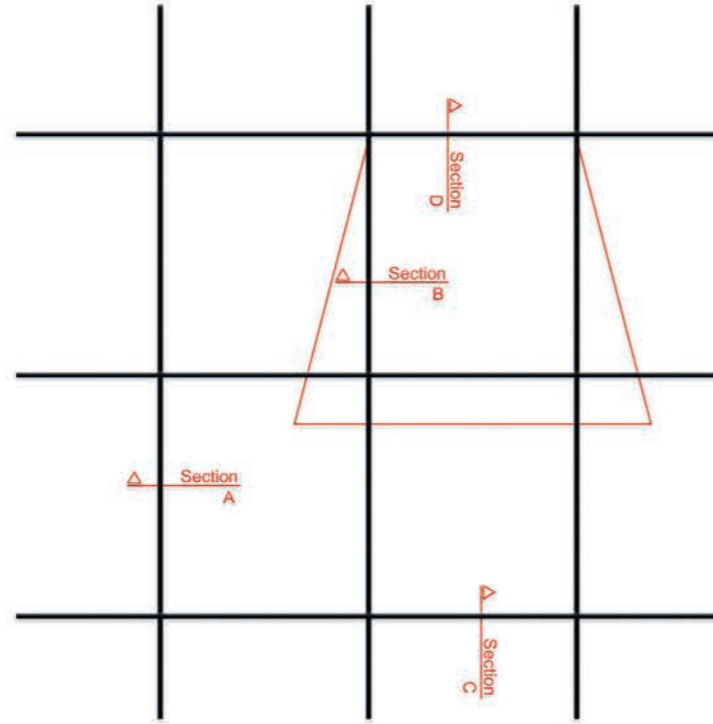


Section A

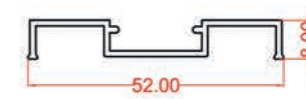
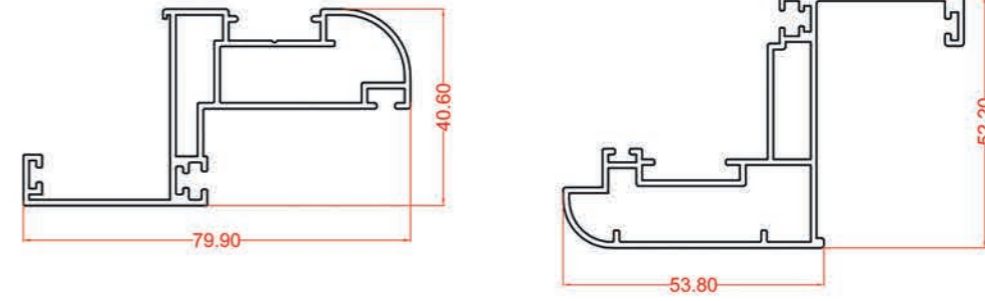
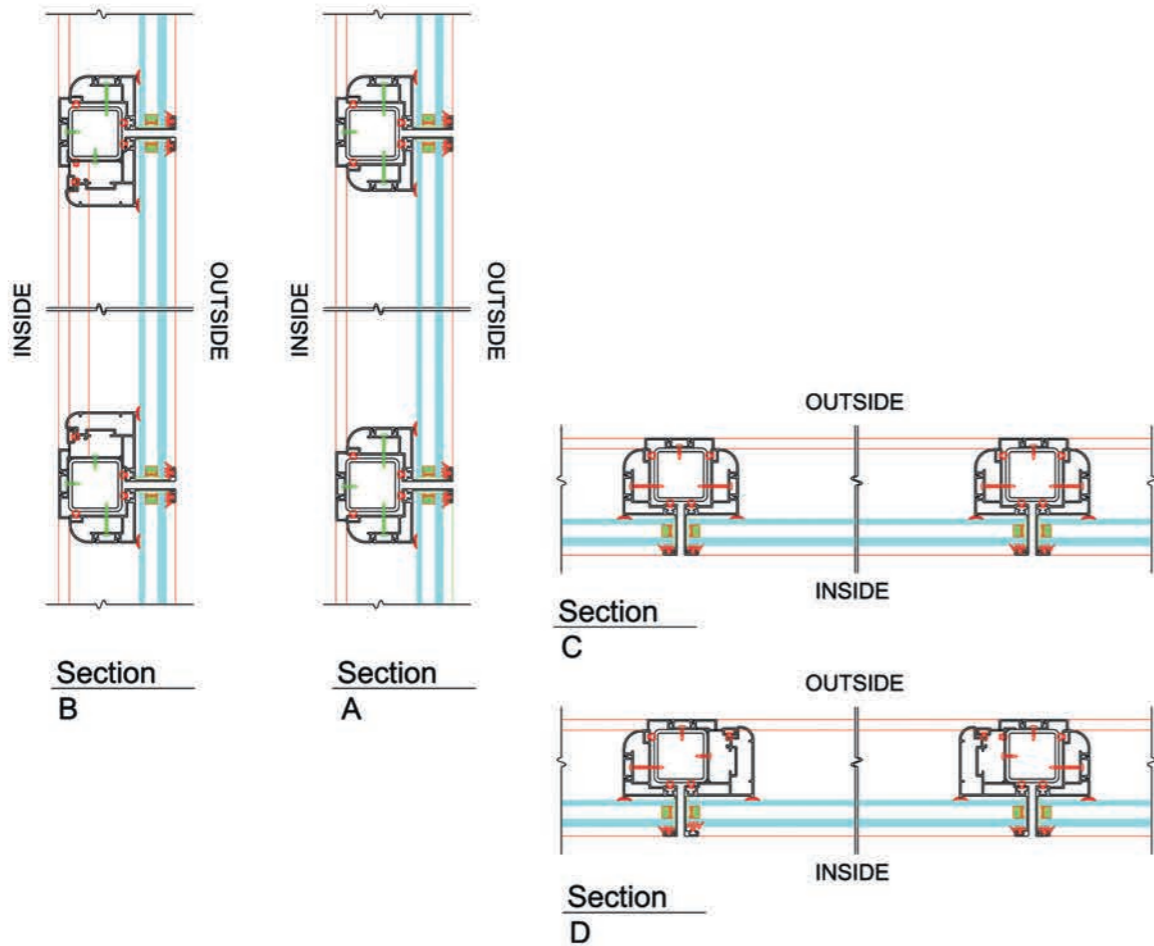


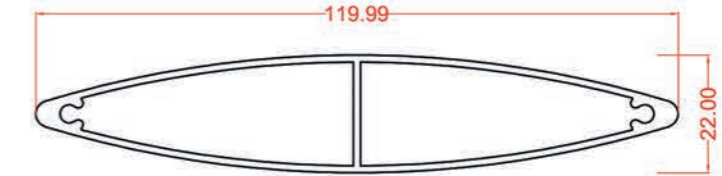
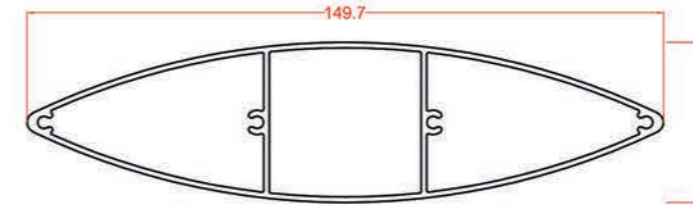
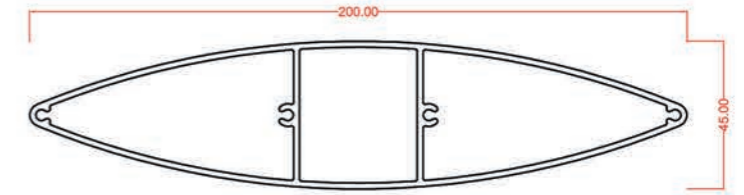
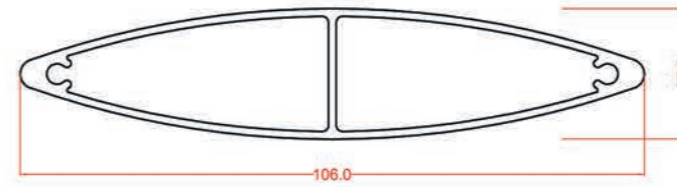
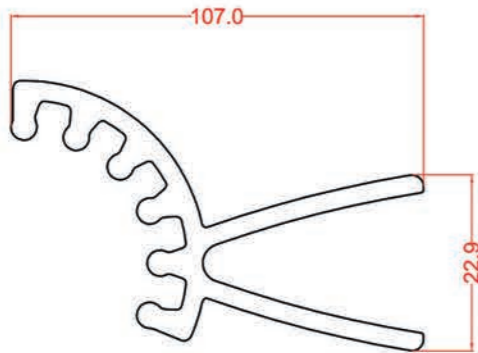
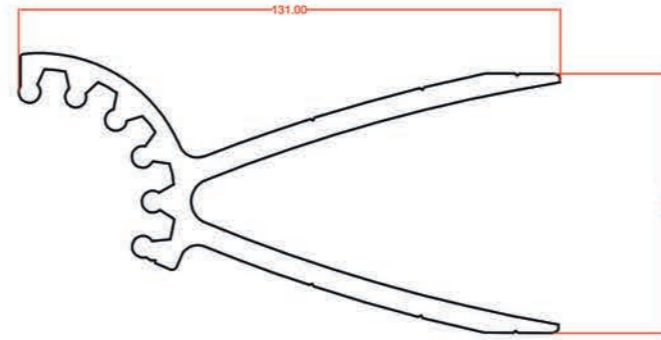
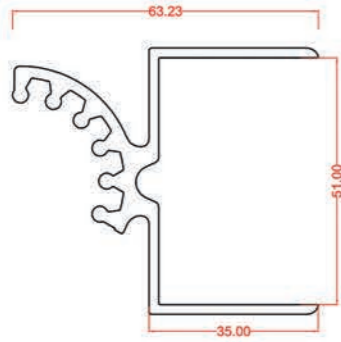
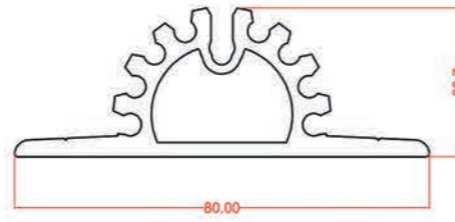
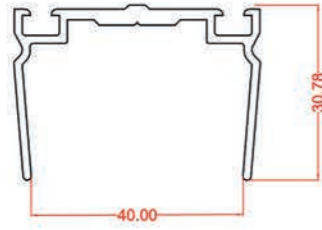
Section B

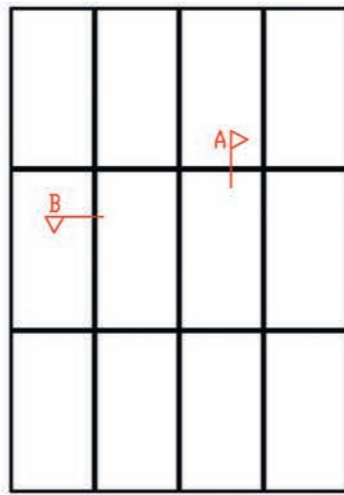
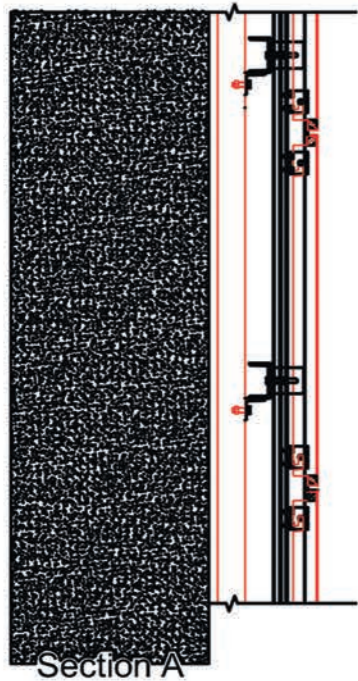
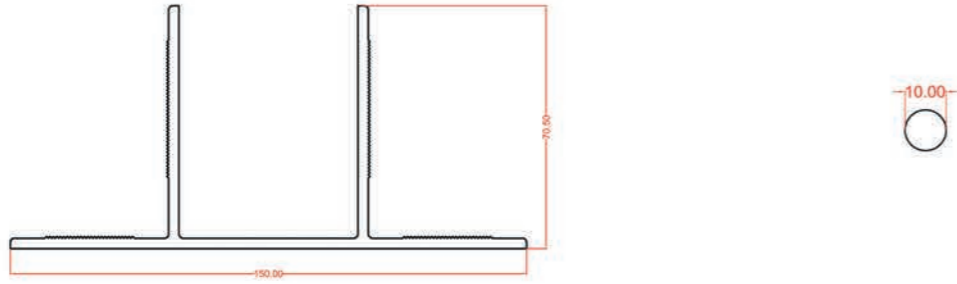
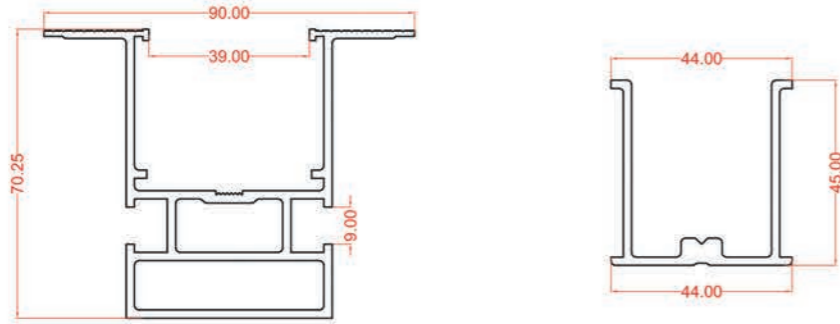




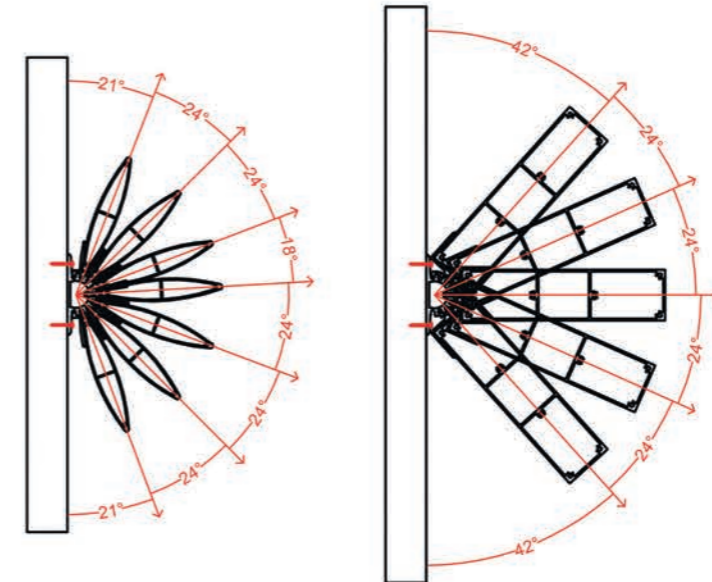
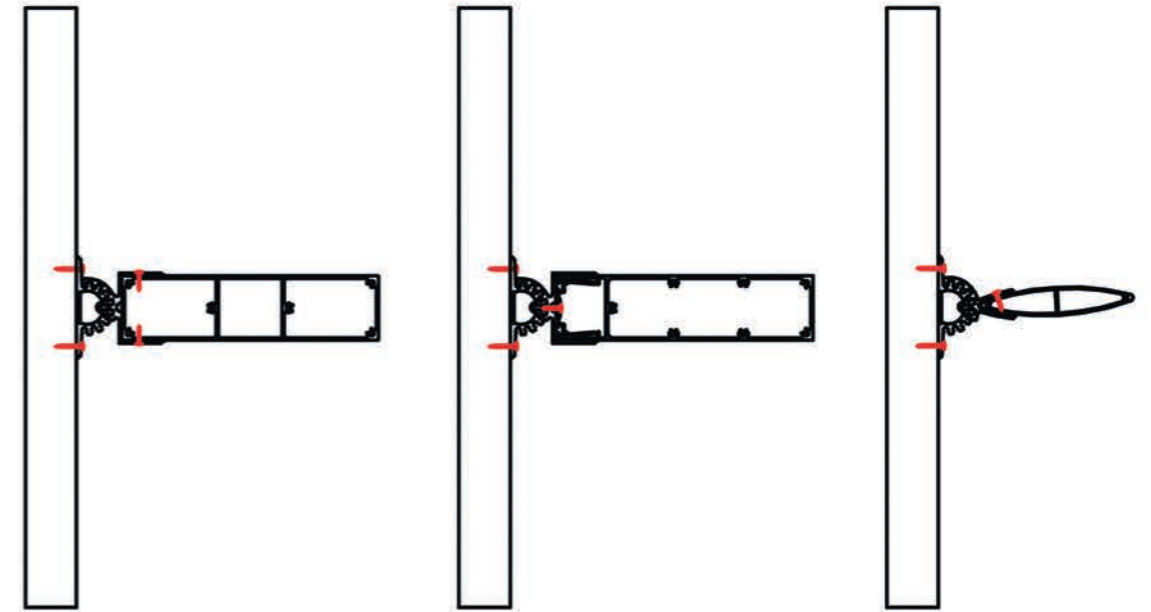
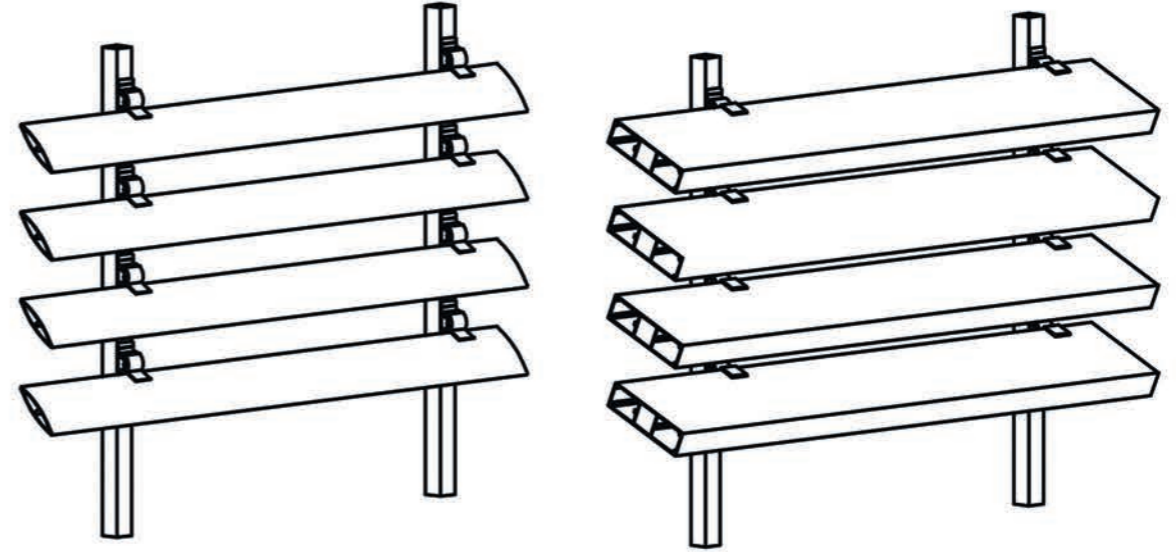
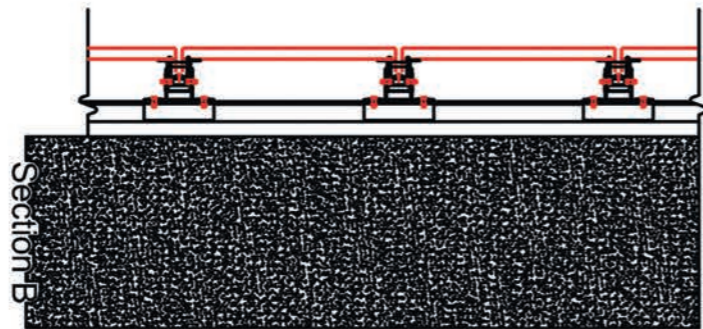
Interior View

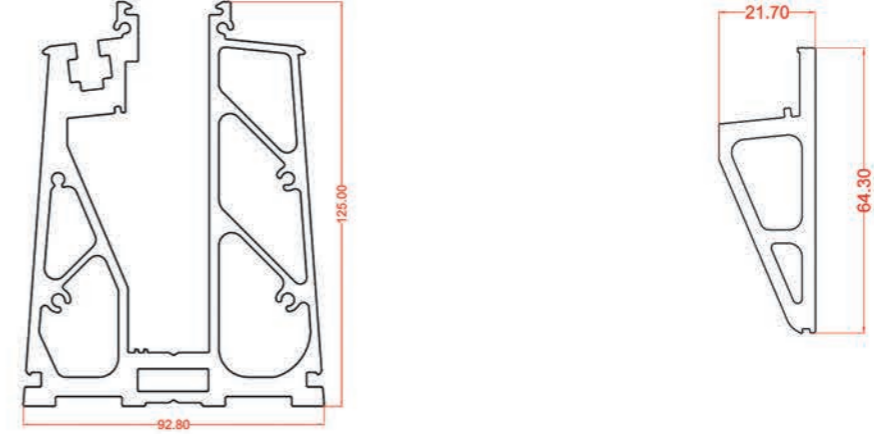
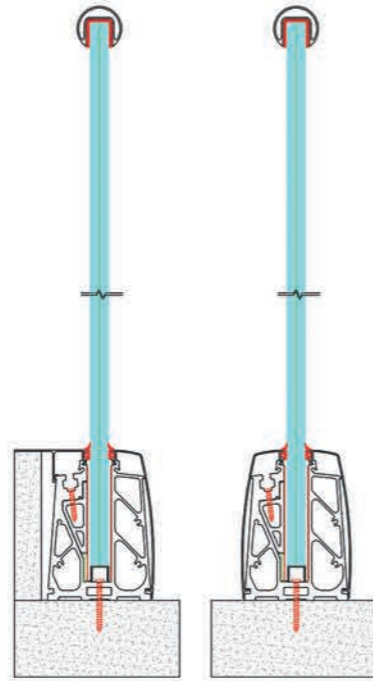




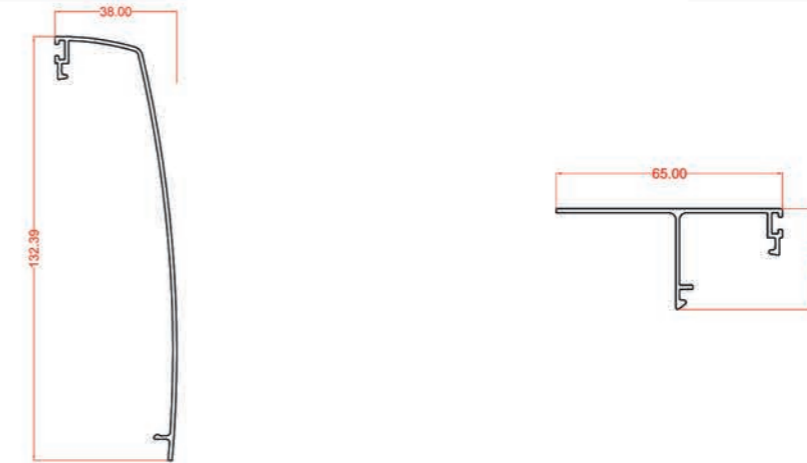


Exterior View





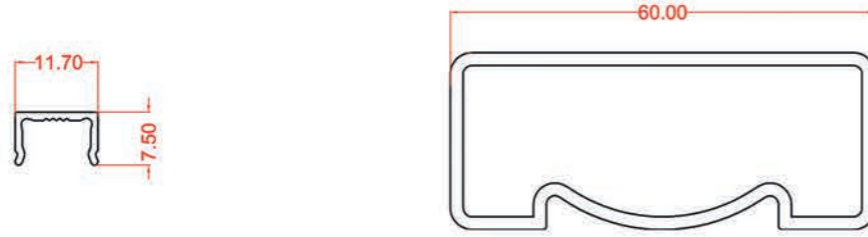
Weight: 7.830 kg/m M.HA- 1320 M.HA- 1321 Weight: 1.347 kg/m



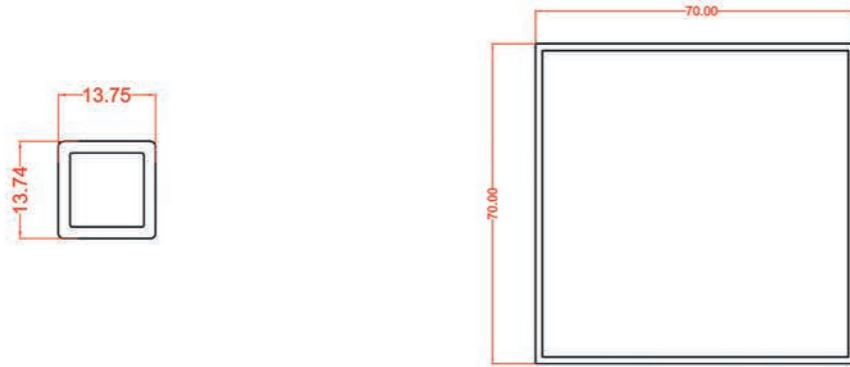
Weight: 0.575 kg/m M.HA- 1322 M.HA- 1323 Weight: 0.338 kg/m



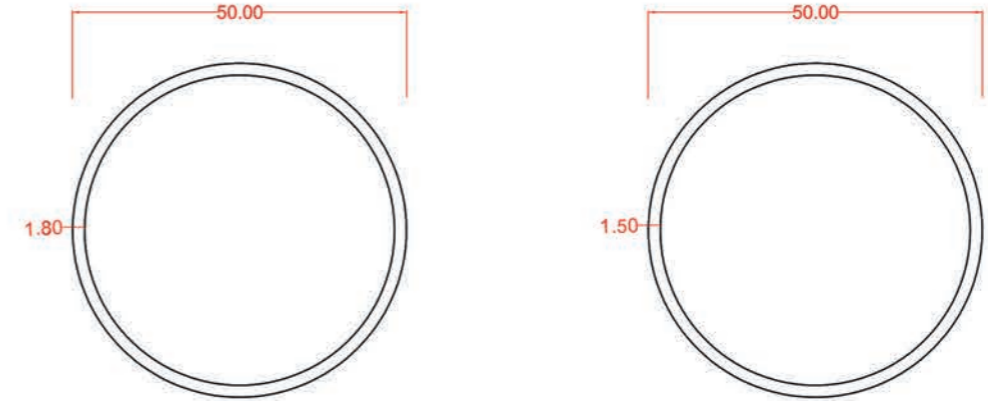
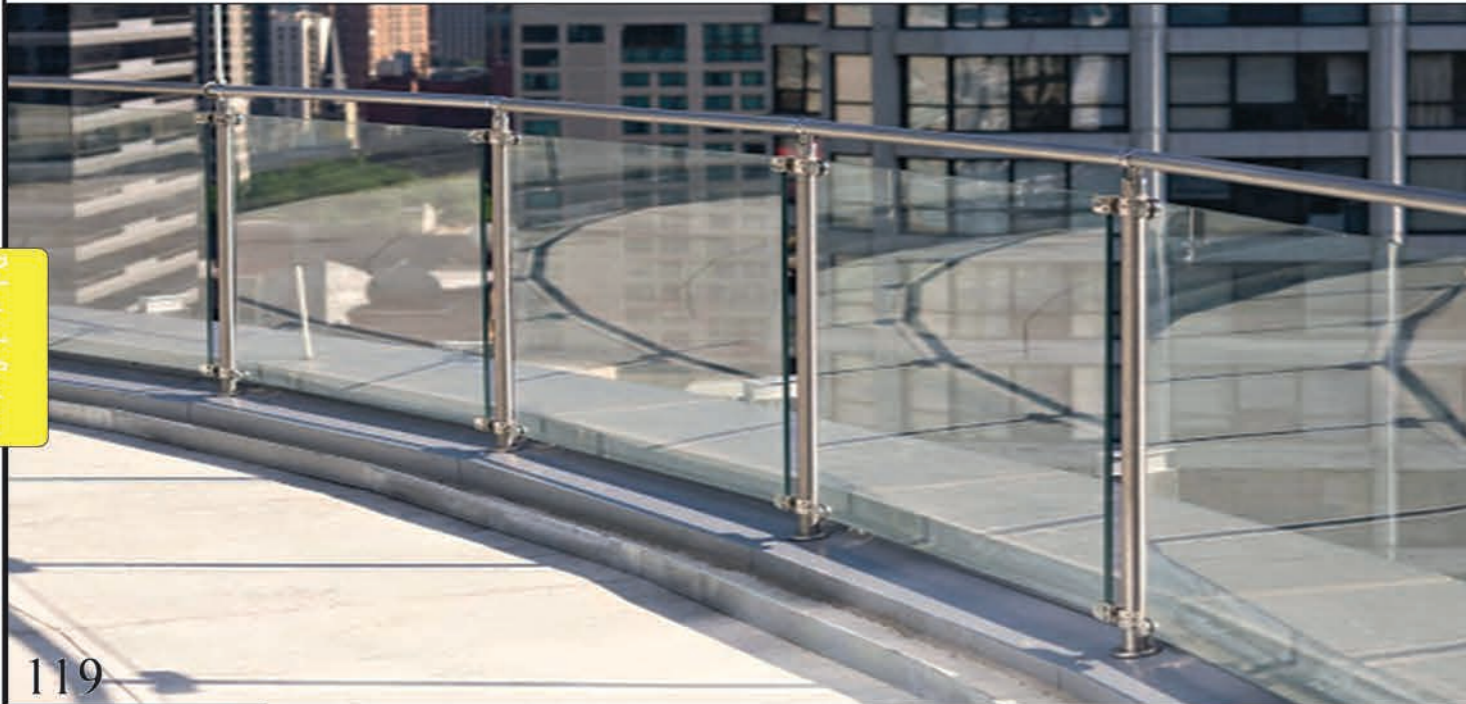
Weight: 0.641 kg/m M.HA- 1324 M.HA- 1325 Weight: 0.233 kg/m



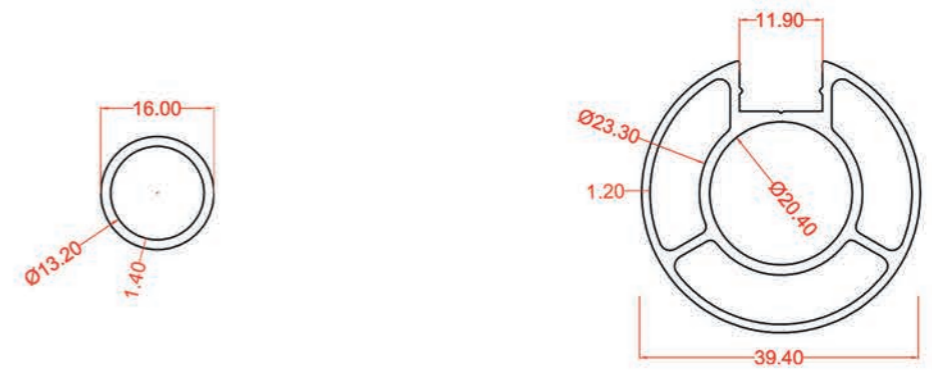
Weight: 0.070 kg/m | M.GI - 1311 | M.GI - 1312 | Weight: 0.835 kg/m



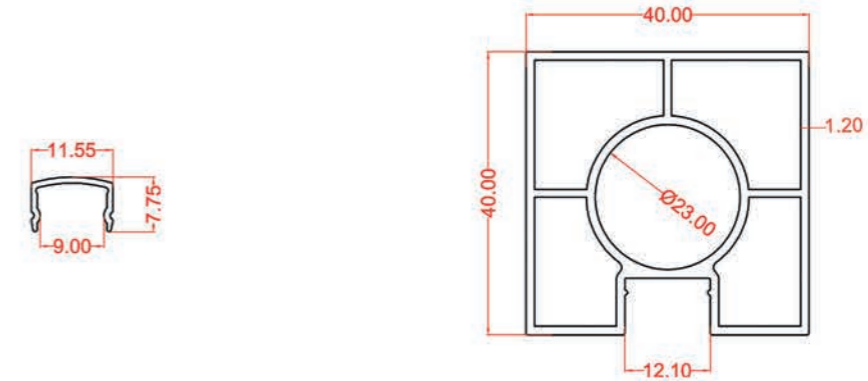
Weight: 0.213 kg/m | M.GI - 1313 | M.GI - 1314 | Weight: 1.361 kg/m



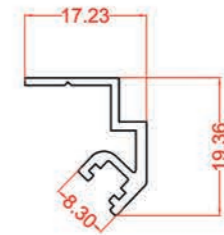
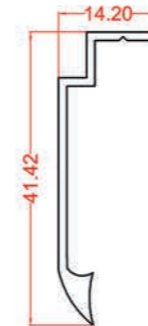
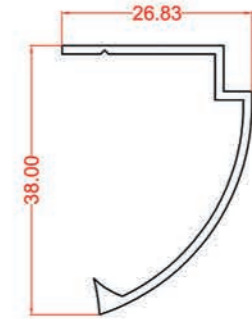
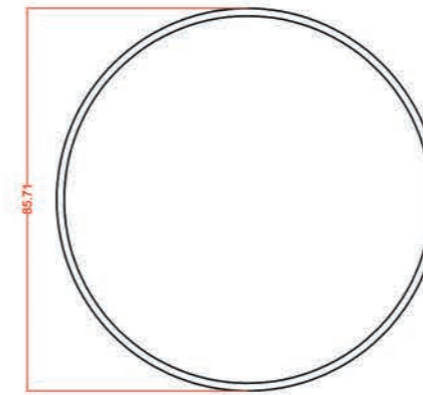
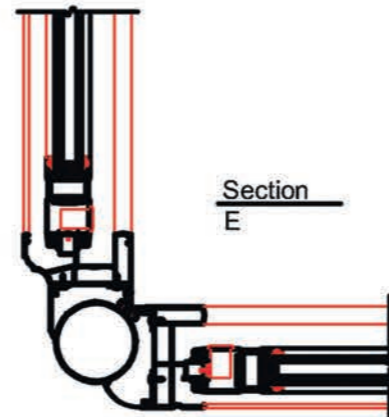
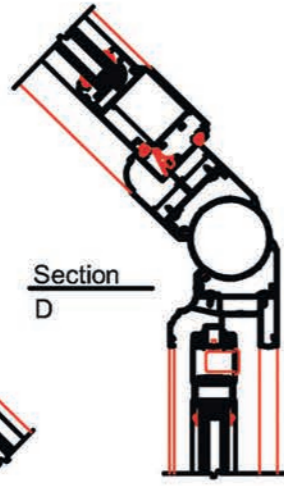
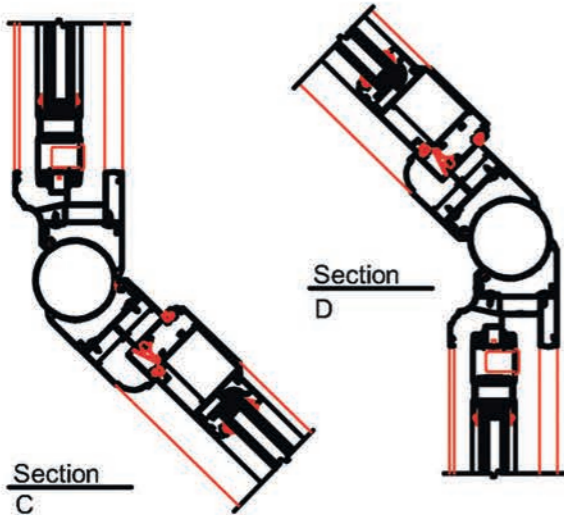
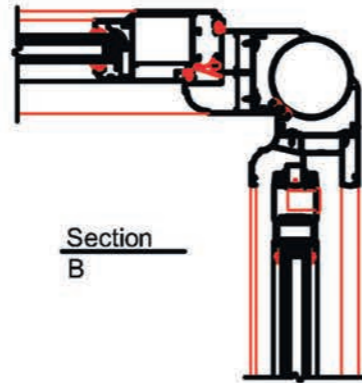
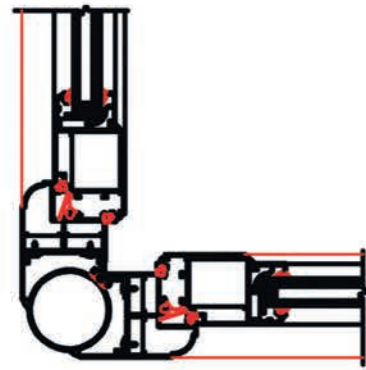
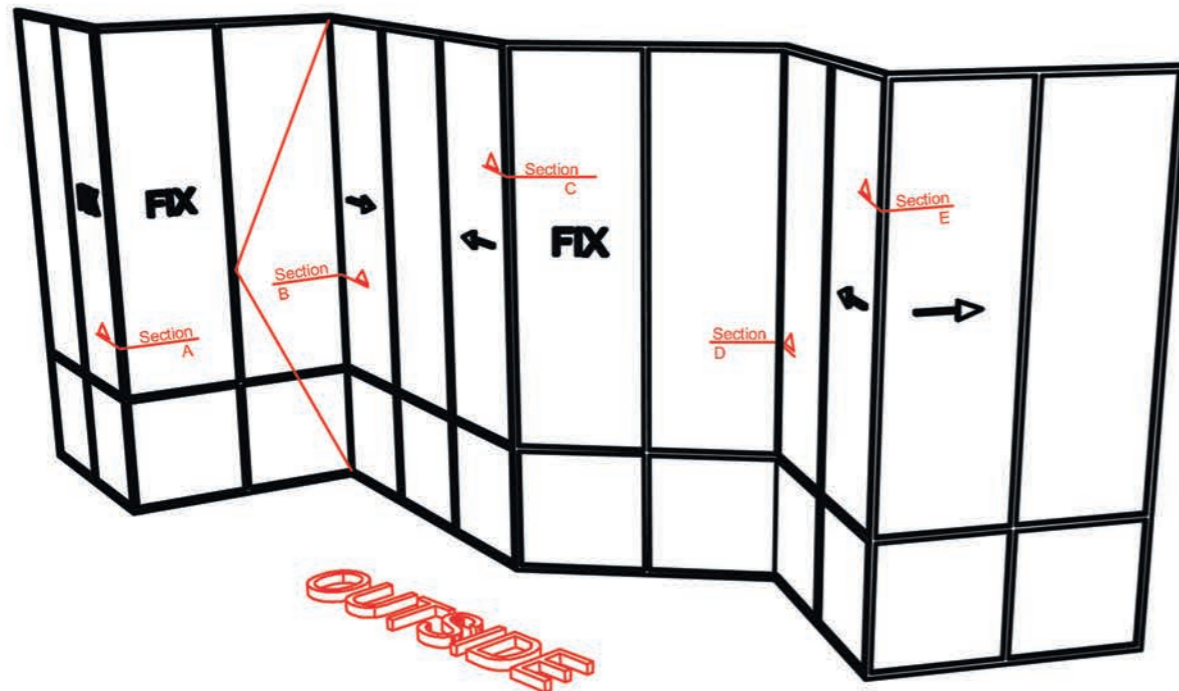
Weight: 0.475 kg/m | M.GI - 1301 | M.GI - 1302 | Weight: 0.650 kg/m

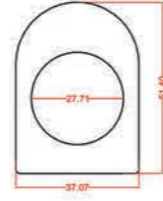
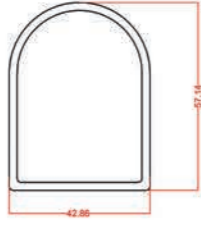


Weight: 0.183 kg/m | M.GI - 1303 | M.GI - 1304 | Weight: 0.758 kg/m



Weight: 0.061 kg/m | M.GI - 1305 | M.GI - 1310 | Weight: 0.840 kg/m

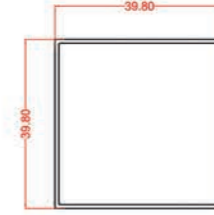
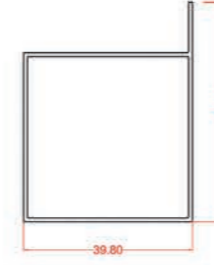




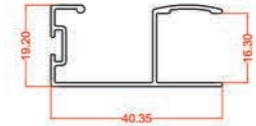
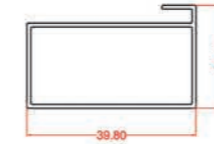
Weight: 0.550 kg/m M.Ra - 001 M.Ra - 002 Weight: 1.525 kg/m



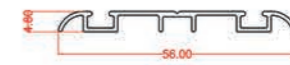
Weight: 0.233 kg/m M.Ra - 003



Weight: 0.370 kg/m M.Ca - 401 M.Ca - 401 Weight: 0.335 kg/m



Weight: 0.263 kg/m M.Ca - 402 M.Ca - 403 Weight: 0.300 kg/m



Weight: 0.233 kg/m M.Ca - 404 M.Ca - 405 Weight: 0.233 kg/m



ALUMTURK

Factory: İvedik OSB Mah. 2239. Cad. No:4, 06378 Yenimahalle/Ankara
Branch: Önder Mah. Ereğli Cad. No:71/A Aldındağ/ANKARA
Branch: Yıldızevler Mh. Cezayir Caddesi no. 4/1 Çankaya/ANKARA
Branch:Fatih Mah. 30001 Sok. No:5/4 Mezitli MERSİN
<http://www.alumturk.com> e-mail info@alumturk.com
Tel. +90 312 395 1669